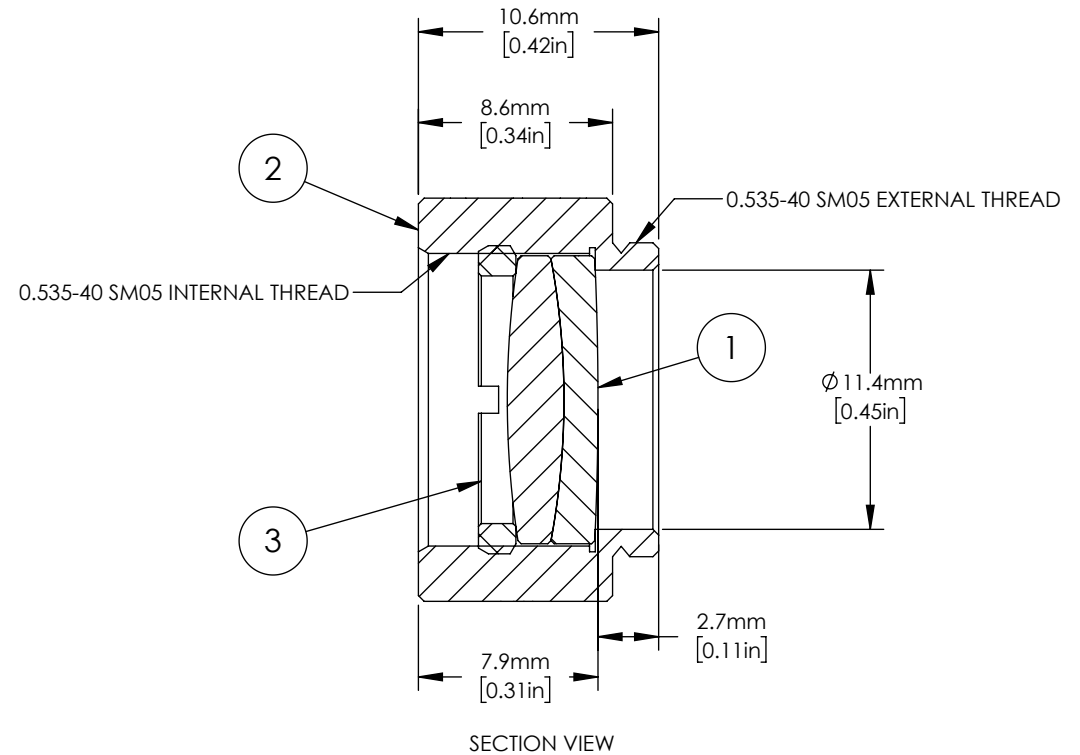
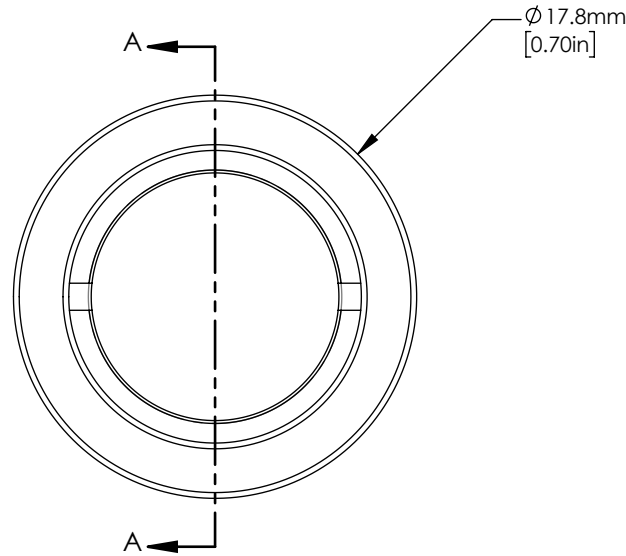


PART	PART DESCRIPTION	MATERIAL
①	AC127-075-A	N-BK7 & N-SF2
②	LENS MOUNT	6061-T6 ALUMINUM
③	SM05RR	6061-T6 ALUMINUM



NOTES/SPECIFICATIONS:

- LENS DIAMETER: 12.7 mm +0.00/-0.10 mm
- LENS CENTER THICKNESS: 4.0 mm ±0.20 mm
- FOCAL LENGTH: 75.0 mm ±0.75 mm
- WORKING DISTANCE (REF): 70.2 mm
- MECHANICAL CLEAR APERTURE: Ø 11.0 mm
- LENS CENTRATION: <3 arcmin
- SURFACE QUALITY: 40-20 SCRATCH-DIG
- COATING: BBAR  $R_{avg} < 0.5\%$  FROM 400-700 nm  
0° AOI ON OUTER OPTICAL SURFACES

FOR INFORMATION ONLY  
NOT FOR MANUFACTURING PURPOSES

DRAWING PROJECTION						<b>THORLABS</b> www.thorlabs.com		
NAME	DATE	Ø 0.5" MOUNTED DOUBLET f=75 mm, A COATED				REV	D	
DRAWN	EMT	11/MAR/13						
APPROVAL	BAG	04/AUG/22	MATERIAL				SEE TABLE	
COPYRIGHT © 2013 BY THORLABS		ITEM #		APPROX WEIGHT				
VALUES IN PARENTHESIS ARE CALCULATED AND MAY CONTAIN ROUND OFF ERRORS		AC127-075-A-ML		4.54 g				