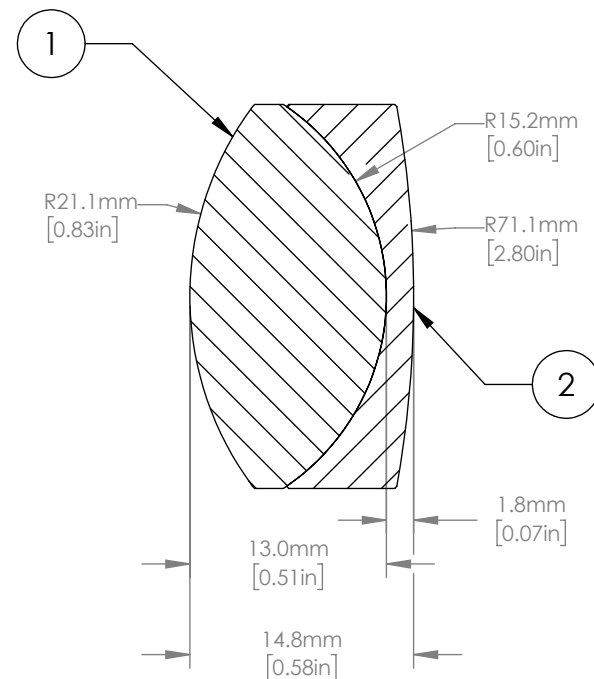
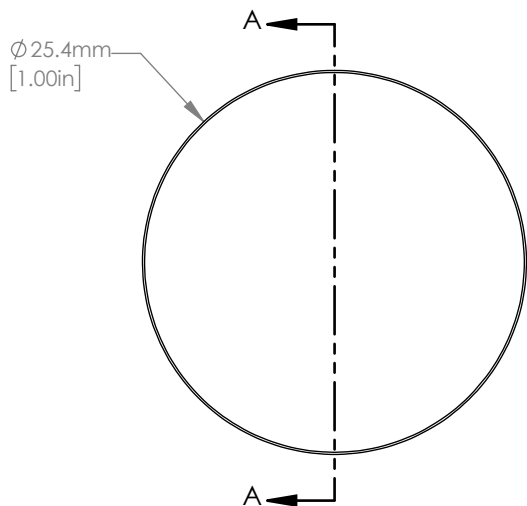


	MATERIAL
①	N-BAF10
②	N-SF6



NOTES/SPECIFICATIONS:

1. DESIGN WAVELENGTH: 1016.0nm, 1330.0nm, 1550.0nm
2. FOCAL LENGTH: 30.4mm ± 1% AT 1330.0nm
3. BACK FOCAL LENGTH(REF): 22.2mm
4. CLEAR APERTURE: > Ø 22.86mm
5. SURFACE QUALITY: 40-20 SCRATCH-DIG
6. CENTRATION: <3arcmin
7. DIAMETER TOLERANCE: +0.0/-0.1mm
8. THICKNESS TOLERANCE: ±0.20mm
9. COATING: BBAR Ravg <0.5% FROM 1050-1700nm, AOI: 0° ON OUTER OPTICAL SURFACES

FOR INFORMATION ONLY
NOT FOR MANUFACTURING PURPOSES

DRAWING PROJECTION			THORLABS www.thorlabs.com Ø 25.4mm, f=30.0mm IR ACHROMAT, -C COAT	
NAME	DATE			
DRAWN	KMC	05/AUG/16	MATERIAL	
APPROVAL	DD	03/JUL/17		
COPYRIGHT © 2017 BY THORLABS			SEE TABLE	REV F
VALUES IN PARENTHESIS ARE CALCULATED AND MAY CONTAIN ROUND OFF ERRORS			ITEM #	APPROX WEIGHT
			AC254-030-C	22.3 g