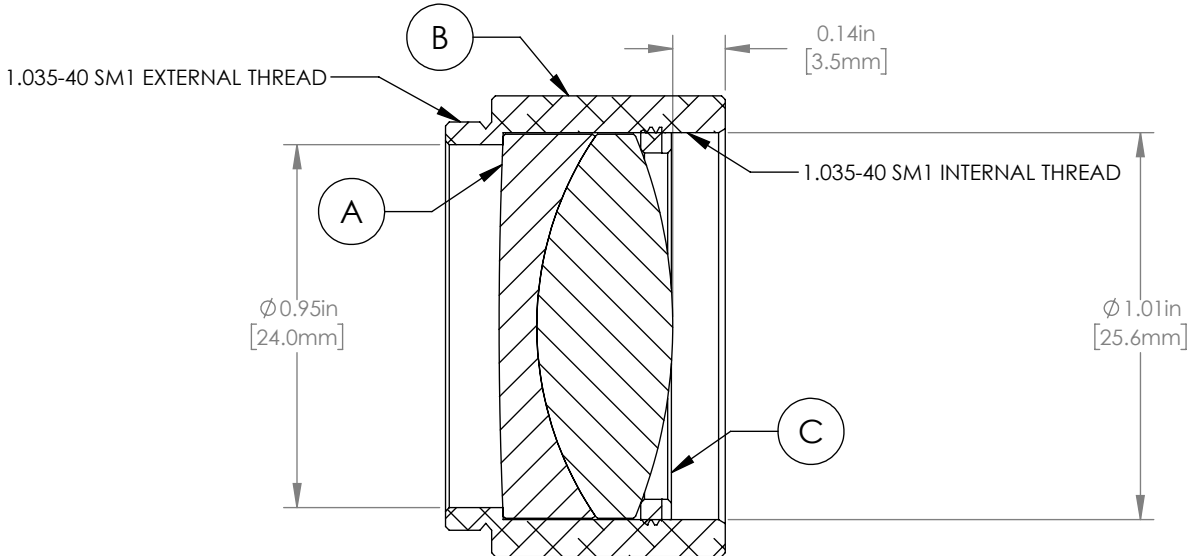
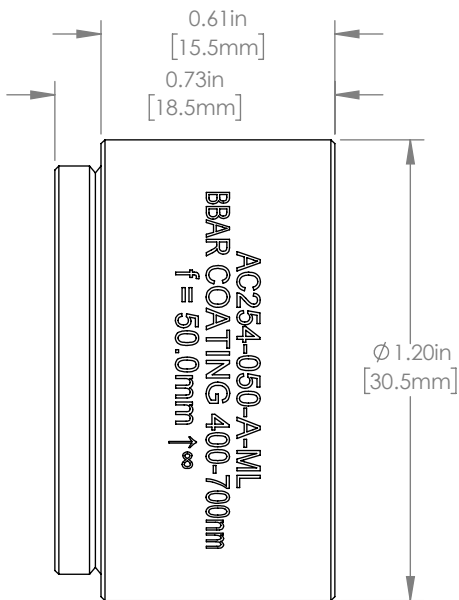


PART	DESCRIPTION	MATERIAL
A	AC254-050-A	N-BAF10 & N-SF10
B	LENS MOUNT	6061-T6 ALUMINUM
C	SM1RR	



NOTES/SPECIFICATIONS:

1. LENS DIAMETER: 25.4mm +0.00/-0.10mm
2. LENS CENTER THICKNESS: 11.5mm
3. FOCAL LENGTH: 50.2mm ±1%
4. WORKING DISTANCE (REF): 39.9mm
5. CLEAR APERTURE: \varnothing 22.86mm
6. LENS CENTRATION: <3arcmin
7. SURFACE QUALITY: 40-20 SCRATCH-DIG
8. COATING: BBAR R_{avg} <0.5% FROM 400-700nm
0° AOI ON OUTER OPTICAL SURFACES

FOR INFORMATION ONLY
NOT FOR MANUFACTURING PURPOSES

DRAWING PROJECTION			THORLABS www.thorlabs.com	
NAME	DATE	MOUNTED AC254-050-A		
DRAWN KMC	04/OCT/17	MATERIAL		REV D
APPROVAL WD	02/NOV/17	SEE TABLE		
COPYRIGHT © 2017 BY THORLABS		ITEM #	APPROX WEIGHT	
VALUES IN PARENTHESIS ARE CALCULATED AND MAY CONTAIN ROUND OFF ERRORS		AC254-050-A-ML	28.33 g	