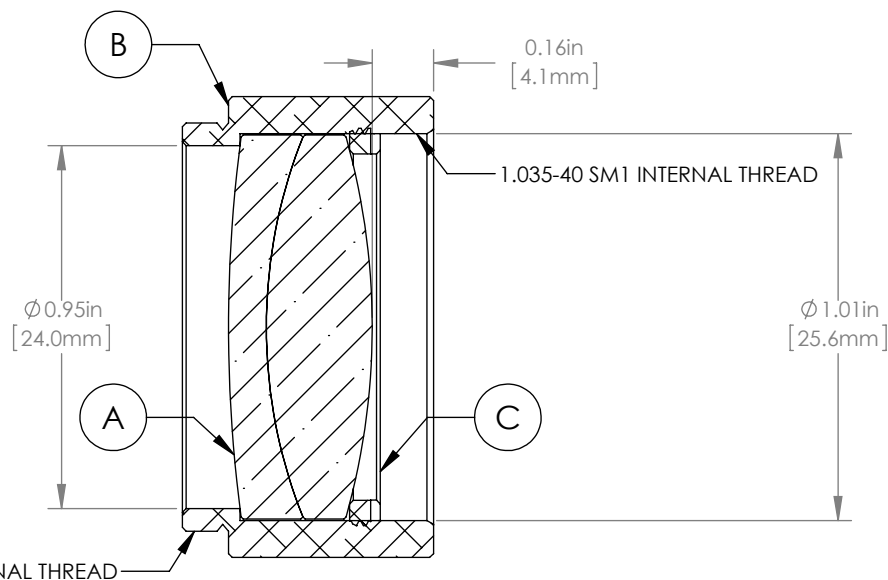
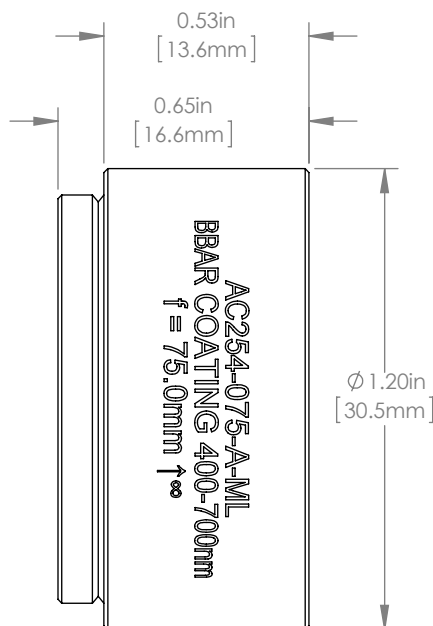


| PART | DESCRIPTION | MATERIAL         |
|------|-------------|------------------|
| A    | AC254-075-A | N-BK7 & N-SF5    |
| B    | LENS MOUNT  | 6061-T6 ALUMINUM |
| C    | SM1RR       |                  |



NOTES/SPECIFICATIONS:

1. LENS DIAMETER: 25.4mm +0.00/-0.10mm
2. LENS CENTER THICKNESS: 9.5mm
3. FOCAL LENGTH: 75.0mm ±1%
4. WORKING DISTANCE (REF): 67.2mm
5. CLEAR APERTURE: 90% OF LENS DIAMETER
6. LENS CENTRATION: <3arcmin
7. SURFACE QUALITY: 40-20 SCRATCH-DIG
8. COATING: BBAR Ravg<0.5% FROM 400-700nm  
0° AOI ON OUTER OPTICAL SURFACES

FOR INFORMATION ONLY  
NOT FOR MANUFACTURING PURPOSES

| DRAWING PROJECTION  |           | THORLABS<br>www.thorlabs.com |                          |
|---|-----------|------------------------------|--------------------------|
| NAME  | DATE      | MOUNTED AC254-075-A          |                          |
| DRAWN EMT   | 11/MAR/13 |                              |                          |
| APPROVAL BW   | 10/MAR/15 | MATERIAL                     | REV C                    |
| COPYRIGHT © 2013 BY THORLABS  |           | SEE TABLE                    |                          |
| VALUES IN PARENTHESIS ARE CALCULATED AND MAY CONTAIN ROUND OFF ERRORS |           | ITEM #<br>AC254-075-A-ML     | APPROX WEIGHT<br>18.14 g |