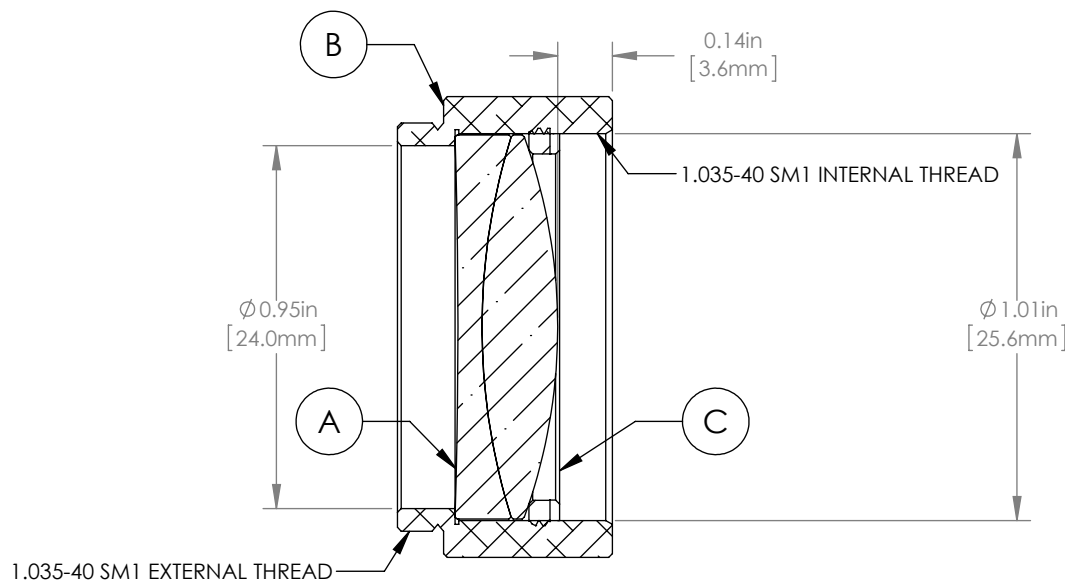
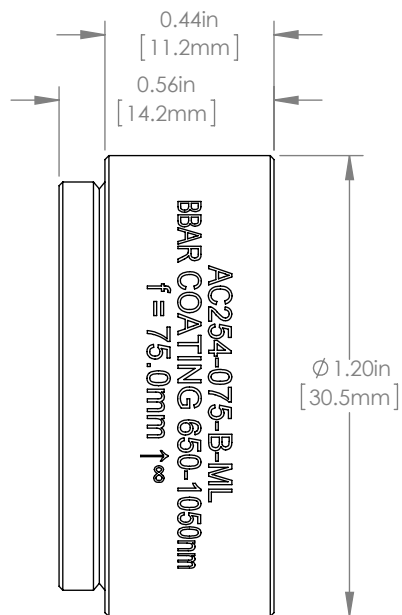


PART	DESCRIPTION	MATERIAL
A	AC254-075-B	N-BAF10 & N-SF6
B	LENS MOUNT	6061-T6 ALUMINUM
C	SM1RR	



NOTES/SPECIFICATIONS:

1. LENS DIAMETER: 25.4mm +0.00/-0.10mm
2. LENS CENTER THICKNESS: 6.6mm
3. FOCAL LENGTH: 75.0mm ±1%
4. WORKING DISTANCE (REF): 65.9mm
5. CLEAR APERTURE: 90% OF LENS DIAMETER
6. LENS CENTRATION: <3arcmin
7. SURFACE QUALITY: 40-20 SCRATCH-DIG
8. COATING: BBAR  $R_{avg} < 0.5\%$  FROM 650-1050nm  
0° AOI ON OUTER OPTICAL SURFACES

FOR INFORMATION ONLY  
NOT FOR MANUFACTURING PURPOSES

DRAWING PROJECTION

	NAME	DATE
DRAWN	EMT	13/MAR/13
APPROVAL	BW	10/MAR/15

COPYRIGHT © 2013 BY THORLABS  
VALUES IN PARENTHESIS ARE CALCULATED AND MAY CONTAIN ROUND OFF ERRORS

 www.thorlabs.com	
MOUNTED AC254-075-B	
MATERIAL	SEE TABLE
ITEM #	AC254-075-B-ML
APPROX WEIGHT	9.07 g

REV C