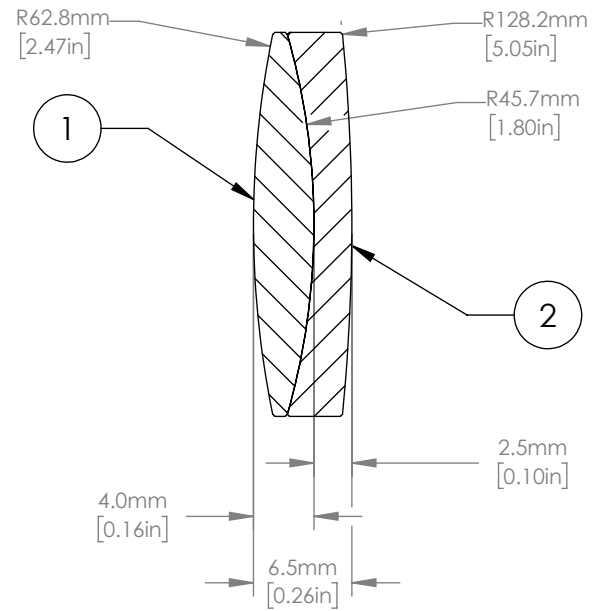
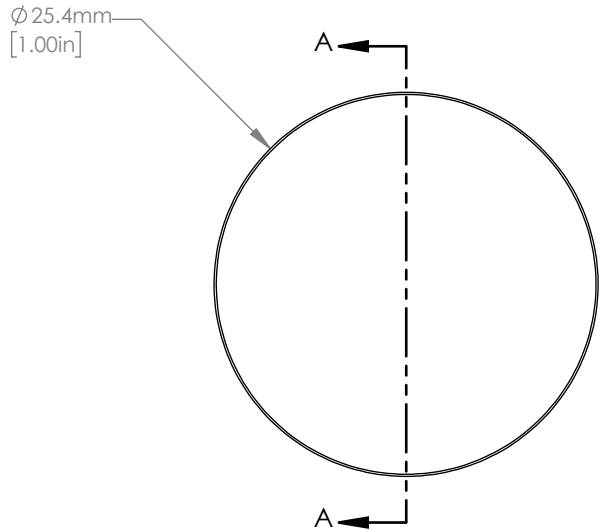
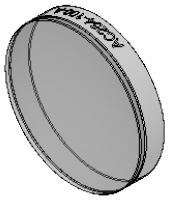


	MATERIAL
①	N-BK7
②	SF5



NOTES/SPECIFICATIONS:

1. DESIGN WAVELENGTH: 486.1nm, 587.6nm, & 656.3nm
2. FOCAL LENGTH: 100.1mm ±1%
3. BACK FOCAL LENGTH (REF): 97.2mm
4. CLEAR APERTURE: > Ø 22.86mm
5. SURFACE QUALITY: 40-20 SCRATCH-DIG
6. CENTRATION: <3arcmin
7. DIAMETER TOLERANCE: +0.0/-0.1mm
8. THICKNESS TOLERANCE: ±0.20mm
9. COATING: BBAR Ravg <0.5% FROM 400-700nm, 0° AOI, ON OUTER OPTICAL SURFACES

FOR INFORMATION ONLY
NOT FOR MANUFACTURING PURPOSES

DRAWING PROJECTION			THORLABS www.thorlabs.com Ø 25.4mm, f=100.0mm VISIBLE ACHROMAT, -A COAT	
NAME	DATE			
DRAWN	KMR	20/SEP/16	MATERIAL	
APPROVAL	DD	26/SEP/16		
COPYRIGHT © 2016 BY THORLABS			SEE TABLE	REV C
VALUES IN PARENTHESIS ARE CALCULATED AND MAY CONTAIN ROUND OFF ERRORS			ITEM #	APPROX WEIGHT
			AC254-100-A	9.47 g