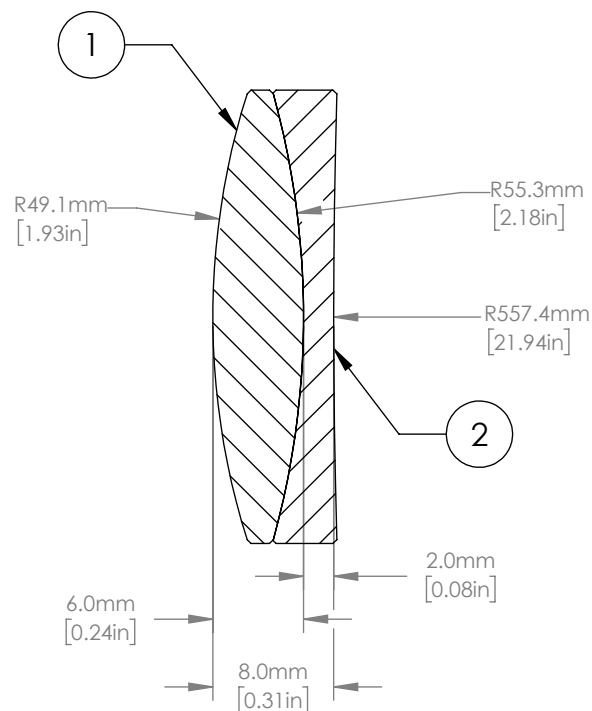
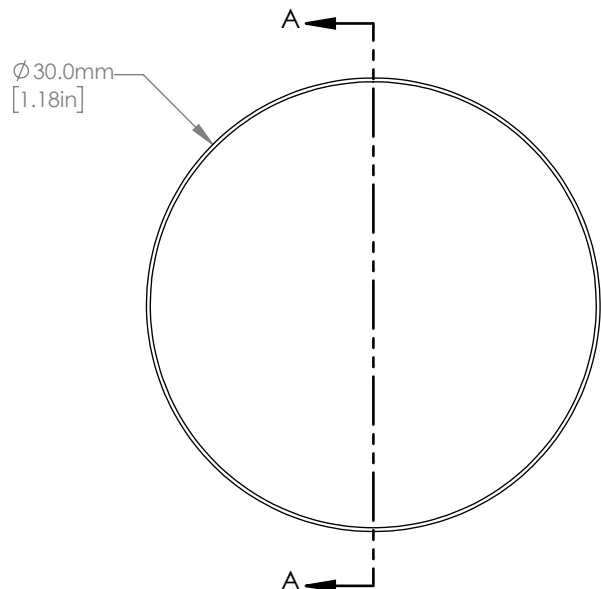
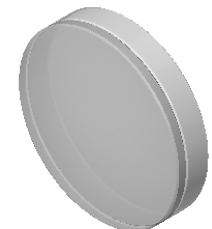


	MATERIAL
①	N-BAF10
②	N-SF6HT



NOTES/SPECIFICATIONS:

1. DESIGN WAVELENGTH: 706.5nm, 855.0nm, & 1015.0nm
2. FOCAL LENGTH: 100.2mm ±1% AT 855.0nm
3. BACK FOCAL LENGTH (REF): 94.0mm
4. CLEAR APERTURE: > Ø 27.00mm
5. SURFACE QUALITY: 40-20 SCRATCH-DIG
6. CENTRATION: <3arcmin
7. DIAMETER TOLERANCE: +0.0/-0.1mm
8. THICKNESS TOLERANCE: ±0.20mm
9. COATING: BBAR Ravg <0.5% FROM 650-1050nm, 0° AOI, ON OUTER OPTICAL SURFACES

FOR INFORMATION ONLY  
NOT FOR MANUFACTURING PURPOSES

DRAWING PROJECTION				<b>THORLABS</b> www.thorlabs.com Ø30.0mm, f=100.0mm NEAR IR ACHROMAT, -B COAT	
NAME	DATE				
DRAWN	KMR	27/JUL/16		MATERIAL	
APPROVAL	DD	03/JUL/17			
COPYRIGHT © 2017 BY THORLABS				SEE TABLE	
VALUES IN PARENTHESIS ARE CALCULATED AND MAY CONTAIN ROUND OFF ERRORS				ITEM #	APPROX WEIGHT
				AC300-100-B	18.16 g

REV D