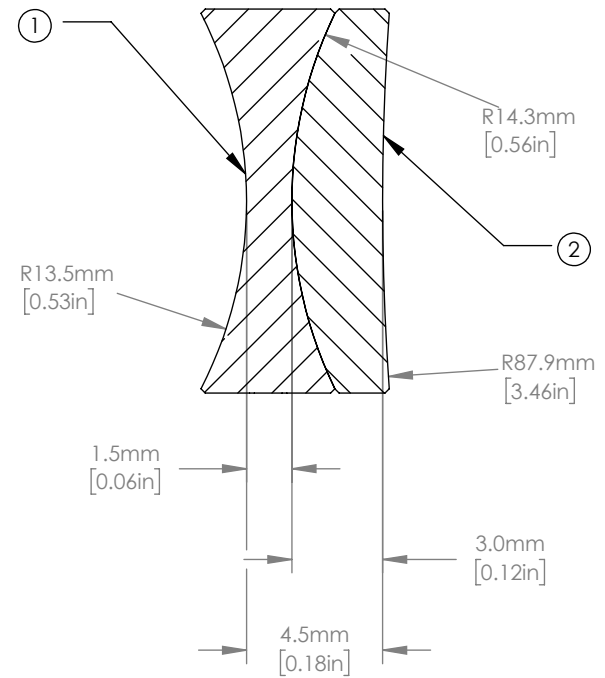
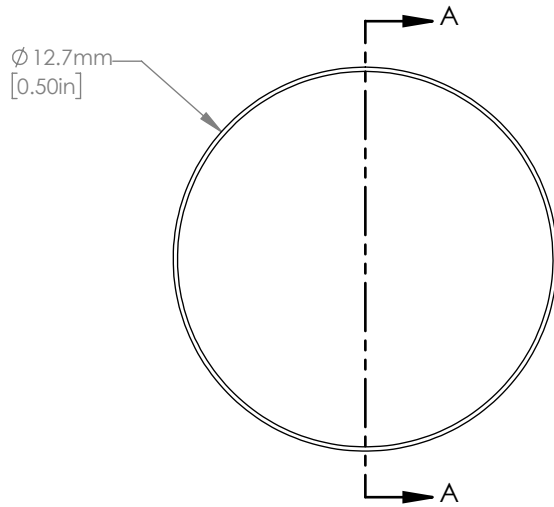


	MATERIAL
①	N-BAF10
②	N-SF6HT



NOTES/SPECIFICATIONS:

- DESIGN WAVELENGTHS: 486.1nm, 587.6nm, & 656.3nm
- FOCAL LENGTH: $f = -20.0\text{mm} \pm 1\%$ AT 587.6nm
- BACK FOCAL LENGTH(REF): $bf = -22.3\text{mm}$
- CLEAR APERTURE $> \phi 11.43\text{mm}$
- SURFACE QUALITY: 40-20 SCRATCH-DIG
- CENTRATION: $< 3\text{arcmin}$
- DIAMETER TOLERANCE: $+0.0/-0.1\text{mm}$
- THICKNESS TOLERANCE: $\pm 0.20\text{mm}$
- COATING: BBAR $R_{\text{avg}} < 0.5\%$ FROM 400-700nm, 0° AOI, ON OUTER OPTICAL SURFACES

FOR INFORMATION ONLY
NOT FOR MANUFACTURING PURPOSES

DRAWING PROJECTION			THORLABS www.thorlabs.com $\phi 12.7\text{mm}$, $f = -20.0\text{mm}$ VISIBLE ACHROMAT, -A COAT	
NAME	DATE			
DRAWN	KMR	20/SEP/16	MATERIAL	
APPROVAL	DD	26/SEP/16		
COPYRIGHT © 2016 BY THORLABS			SEE TABLE	REV C
VALUES IN PARENTHESIS ARE CALCULATED AND MAY CONTAIN ROUND OFF ERRORS			ITEM #	APPROX WEIGHT
			ACN127-020-A	2.44 g