

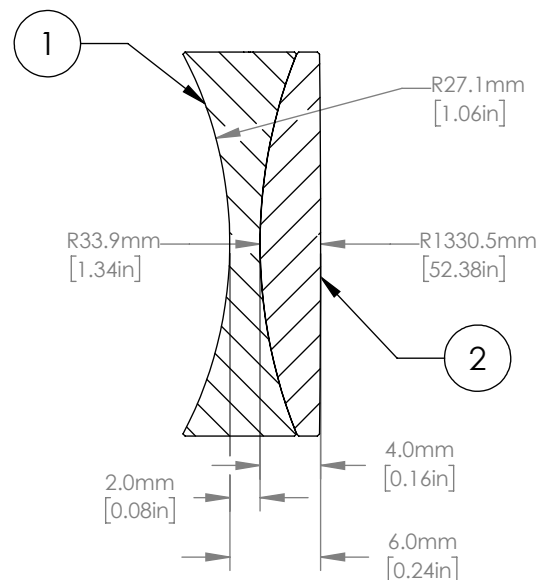
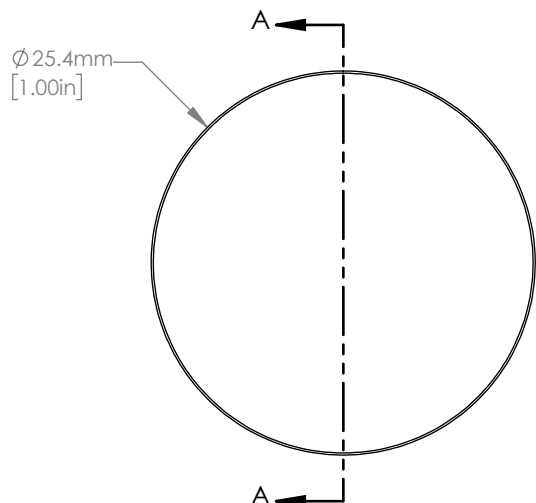
MATERIAL

①

N-BAF10

②

N-SF6HT



NOTES/SPECIFICATIONS:

1. DESIGN WAVELENGTH: 706.5nm, 855.0nm, & 1015.0nm
2. FOCAL LENGTH: -50.1mm ±1% AT 855.0nm
3. BACK FOCAL LENGTH (REF): -53.8mm
4. CLEAR APERTURE: > Ø 22.86mm
5. SURFACE QUALITY: 40-20 SCRATCH-DIG
6. CENTRATION: <3arcmin
7. DIAMETER TOLERANCE: +0.0/-0.1mm
8. THICKNESS TOLERANCE: ±0.20mm
9. COATING: BBAR Ravg <0.5% FROM 650-1050nm, 0° AOI, ON OUTER OPTICAL SURFACES

FOR INFORMATION ONLY
NOT FOR MANUFACTURING PURPOSES

DRAWING PROJECTION			THORLABS www.thorlabs.com Ø 25.4mm, f= -50.0mm NEAR IR ACHROMAT, -B COAT	
NAME	DATE			
DRAWN	KMR	27/JUL/16	MATERIAL	
APPROVAL	DD	03/JUL/17		
COPYRIGHT © 2017 BY THORLABS VALUES IN PARENTHESIS ARE CALCULATED AND MAY CONTAIN ROUND OFF ERRORS			SEE TABLE	REV E
			ITEM #	APPROX WEIGHT
			ACN254-050-B	13.75 g