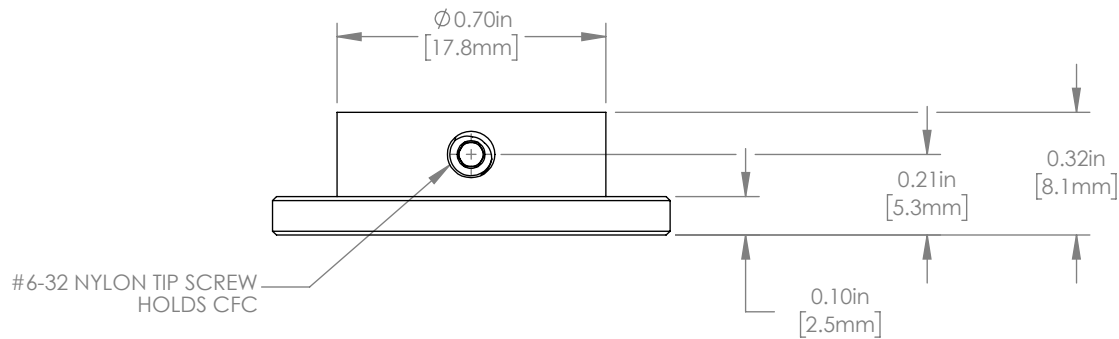
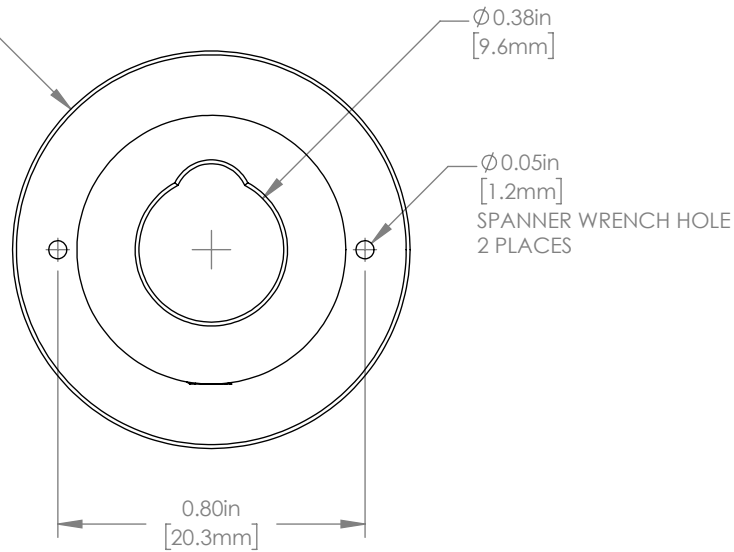


SM1 (Ø 1.035-40) SERIES
EXTERNAL THREADS



FOR INFORMATION ONLY
NOT FOR MANUFACTURING PURPOSES

DRAWING
PROJECTION



	NAME	DATE
DRAWN	KBC	13/MAR/12
APPROVAL	BG	23/MAR/15

COPYRIGHT © 2012 BY THORLABS

VALUES IN PARENTHESIS ARE CALCULATED
AND MAY CONTAIN ROUND OFF ERRORS

THORLABS
www.thorlabs.com

COLLIMATOR ADPATOR FOR CFC

MATERIAL
6061-T6 ALUMINUM

REV
E

ITEM #
AD9.5F

APPROX WEIGHT
9.1 g