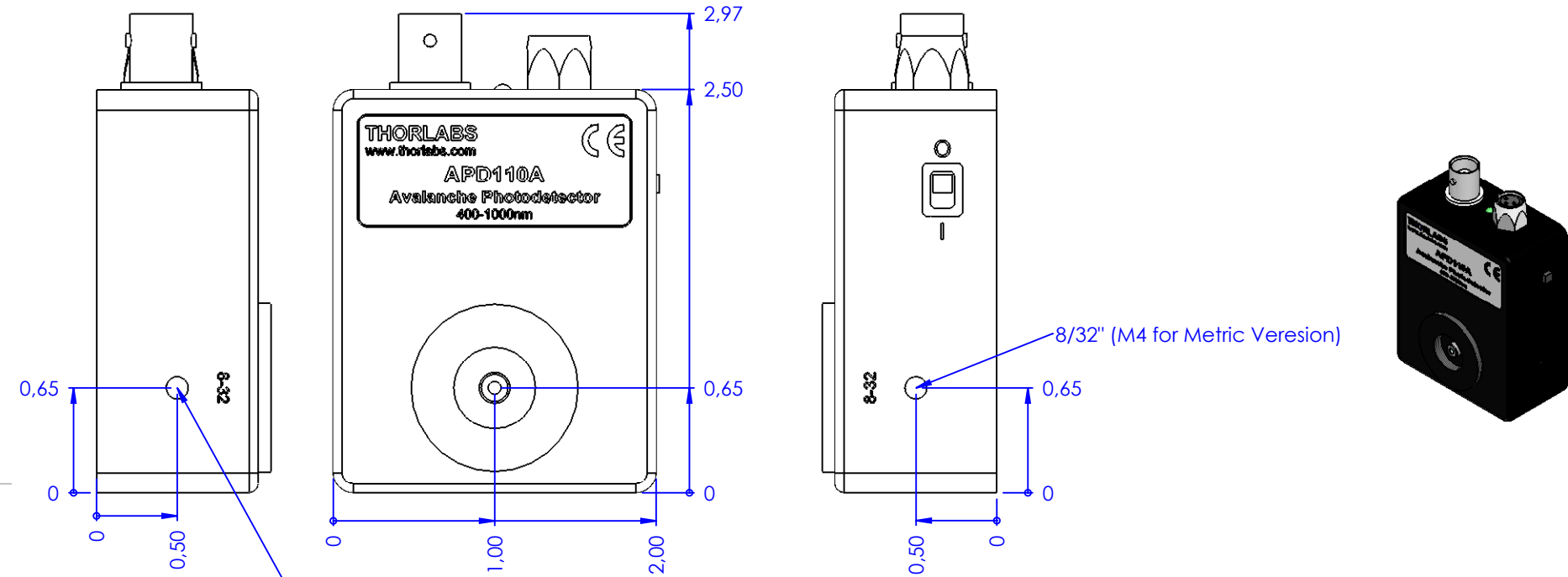
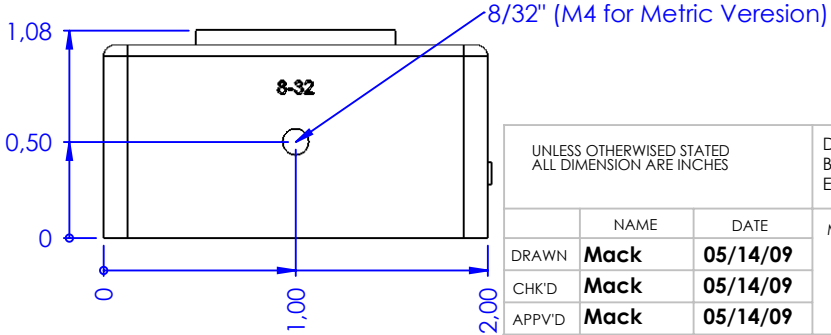


INFORMATION ONLY, NOT FOR MANUFACTURING



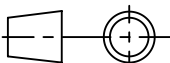
8/32" (M4 for Metric Version)

8/32" (M4 for Metric Version)



UNLESS OTHERWISE STATED ALL DIMENSION ARE INCHES

DEBUR AND BREAK SHARP EDGES



	NAME	DATE
DRAWN	Mack	05/14/09
CHK'D	Mack	05/14/09
APPV'D	Mack	05/14/09

MATERIAL:
N/A

TITLE:
Avalanche Photodetector

NO PART OF THIS DRAWING MAY BE REPRODUCED OR TRANSMITTED IN ANY FORM OR BY ANY MEANS INCLUDING PHOTOCOPYING OR RECORDING WITHOUT THE PRIOR WRITTEN PERMISSION OF THORLABS GMBH

FINISH / TREATMENT:
N/A

PART NO.	APD-A, APD-A/M APD-A2, APD-A2/M APD-C, APD-C/M	REV A
DWG NO.		SIZE A4