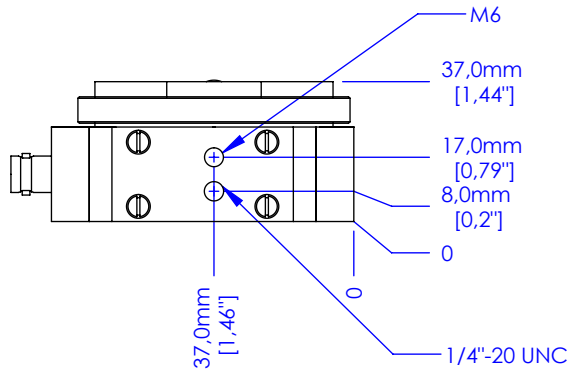
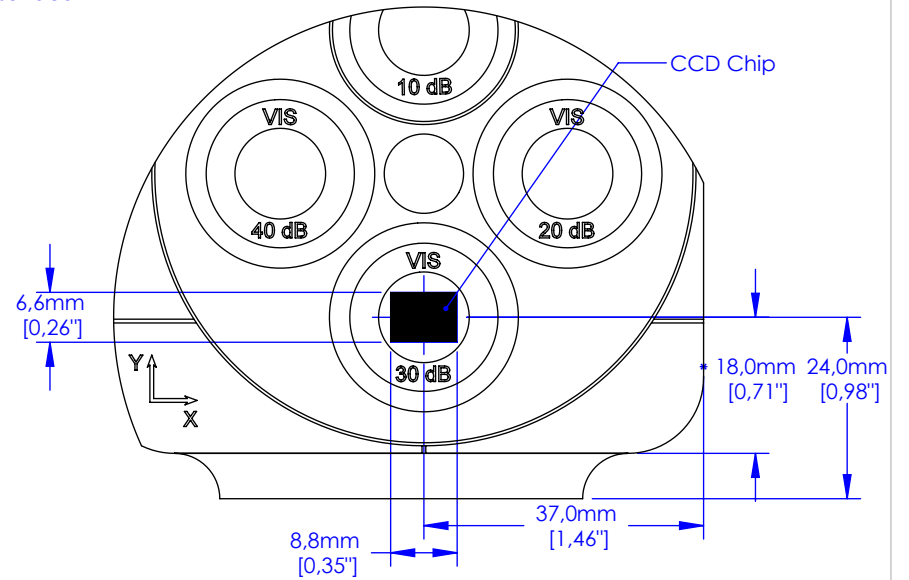
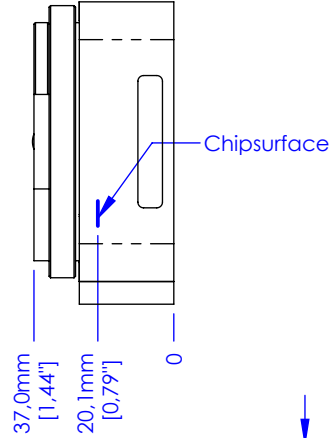
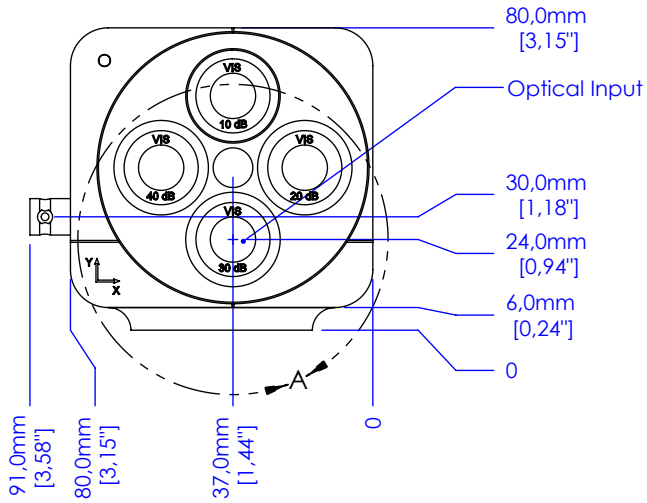


FOR INFORMATION ONLY NOT FOR MANUFACTURING



DETAIL A
MABSTAB 1 : 1

THORLABS INC. PO BOX 366
NEWTON NJ

TITLE: Camera Beam Profiler

MATERIAL: N/A SIZE A REV. B

SCALE: N/A SHEET 1 OF 1

DWG. NO. 18189-E01 PART NO. BC106-VIS

TOLERANCES		NAME	DATE
UNLESS OTHERWISE SPECIFIED:		DRAWN VM	09/09/09
DIMENSIONS ARE IN MILLIMETERS AND INCHES		ENG APPR. Mack	09/09/09
		MFG APPR. XX	XX/XX/XX
PROPRIETARY AND CONFIDENTIAL			
THE INFORMATION CONTAINED IN THIS DRAWING IS THE SOLE PROPERTY OF THORLABS, INC. ANY REPRODUCTION IN PART OR AS A WHOLE WITHOUT THE WRITTEN PERMISSION OF THORLABS, INC. IS PROHIBITED.			

NOTE: