

Quick reference guide

The CVH100-COL fiber port can be used as an accessory to the CVH100 cuvette holder. It holds 1/2" diameter lenses and connects to SMA Multimode fibers. Therefore you can choose from a wide range of optical materials to suit your application and wavelength range.

Alternatively it mounts onto any SM1 internal thread used for a wide range of opto-mechanic components of Thorlabs.



Ordering codes and Accessories

<u>Ordering code</u>	<u>Short description</u>
CVH100-COL	SMA fiber port (SM1) with 1/2" lens mounting option
SM05RR	SM05 retaining ring
SM005LTRR	SM05 series stress-free retaining ring
M25L01	SMA-SMA MM fiber, 200µm, Low-OH, 1m (VIS/NIR)
BFH22-200-030-SMA-1M*	SMA-SMA MM fiber, 200µm, High-OH, 1m (UV)

*Non standard item, on special request

Please see our website for further information <http://www.thorlabs.com/>

Unpacking the CVH100-COL

Inspect the shipping container for damage. If the shipping container seems to be damaged, keep it until you have inspected the contents and you have inspected the CVH100-COL.

Verify that you have received the following items:

- CVH100-COL, SMA fiber port with 1/2" lens mounting option
 - 2x spacers tubes
 - SM 0.5 retaining ring
 - Quick reference guide
-

Getting started

The two supplied spacers are supplied to quickly position 1/2" lenses 20mm focal length. The following table shows suitable combination of spacers and lenses, with the focus on different opt. materials.

Lens Item #	Focal length	Lens material	Short spacer (6.8mm)	Long spacer (9.6mm)
LA1074	f=20mm	Glass, N-BK7	X	
LA4647	f=20mm	Fused silica	X	
LA5315	f=20mm	CaF ₂	X	
LA0506-E	f=20mm	BaF ₂		X
LA9015-F	f=20mm	Ge		X
LA7733-F	f=20mm	ZnSe		X
LA8126-E	f=20mm	Si		X

For plano convex lenses it is recommended to mount the flat side pointing to the fiber. Fix the lens with the supplied retaining ring.

Specifications

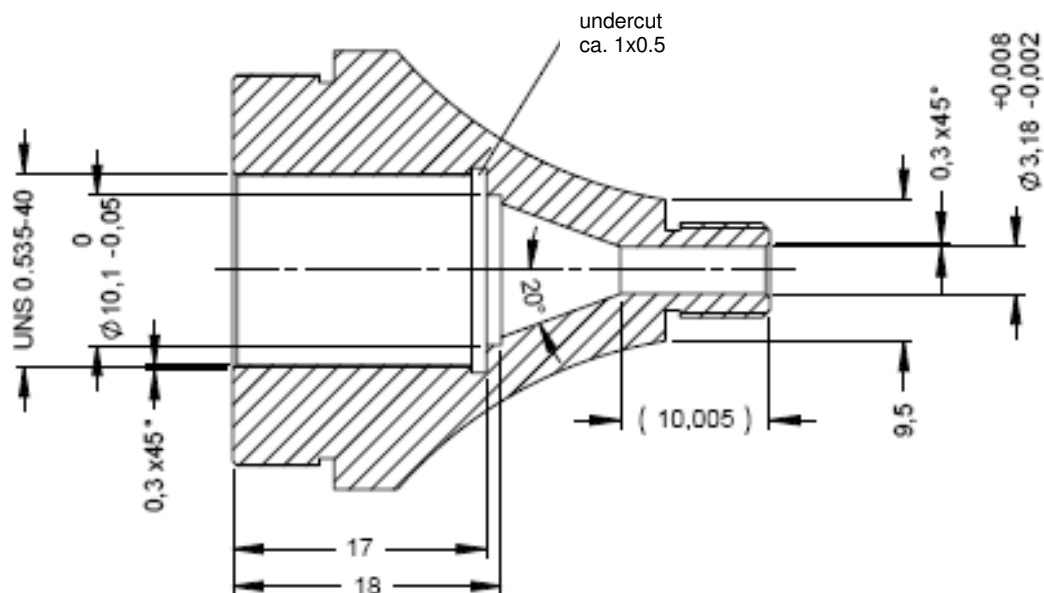


Figure 1 Dimensions of CVH100-COL



Addresses

Our Company is represented by several distributors and sales offices throughout the world.

Europe

Thorlabs GmbH
Hans-Boeckler-Str. 6
D-85221 Dachau
Germany

Sales and Support

Phone: +49 (0) 8131 / 5956-0
Fax: +49 (0) 8131 / 5956-99
Email: europa@thorlabs.com
Web: www.thorlabs.com

Japan

Thorlabs, Inc.
3-6-3, Kitamachi, Nerima-ku
Tokyo 170-0013
Japan

Sales and Support

Phone: +81-3-6915-7701
Fax: +81-3-6915-7716
Email: sales@thorlabs.jp
Web: www.thorlabs.co.jp

USA

Thorlabs, Inc.
56 Sparta Ave
Newton, NJ 07860
USA

Sales and Support

Phone: +1-973-300-3000
Fax: +1-973-300-3600
Email: sales@thorlabs.com
Email: techsupport@thorlabs.com
Web: www.thorlabs.com

China

Thorlabs China
Room A101, No. 100, Lane 2891
South Qilianshan Road
Shanghai 200331
China

Sales and Support

Phone: +86 (0)21-60561122
Fax: +86 (0)21-32513480
Email: chinasales@thorlabs.com
Web: www.thorlabs.com

Please call our hotlines, send an Email to ask for your nearest distributor or just visit our homepage

<http://www.thorlabs.com/>

Copyright© 2010, Thorlabs, Germany
