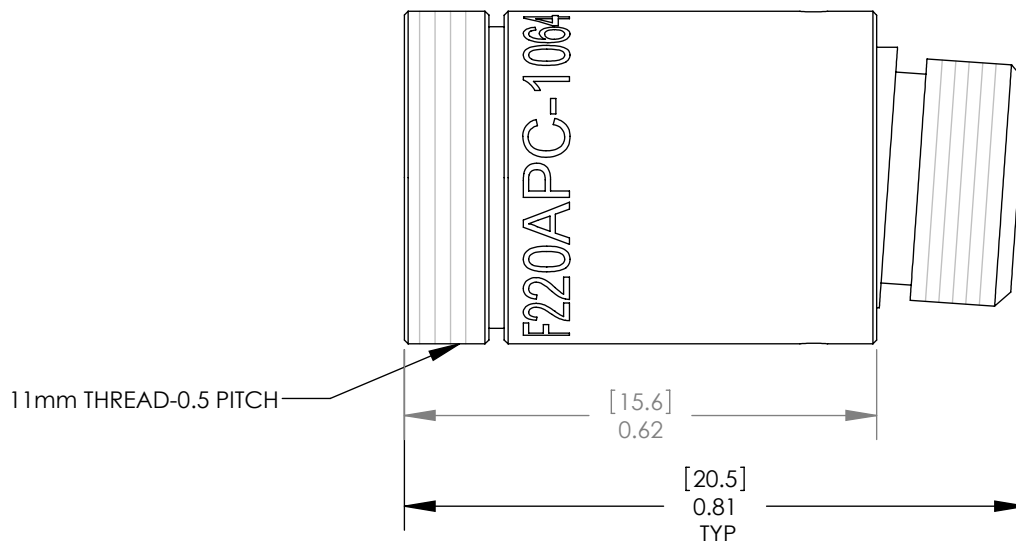
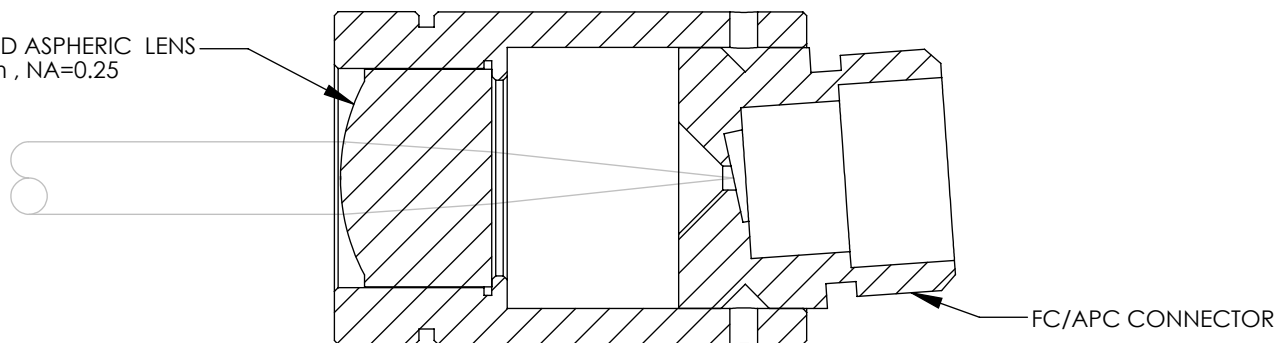


ISOMETRIC VIEW
SCALE 1:1



AR COATED ASPHERIC LENS
f=11.17mm , NA=0.25



THEORETICAL $1/e^2$ OUTPUT BEAM DIAMETER	2.4mm
THEORETICAL FULL ANGLE BEAM DIVERGENCE	0.032°
AR COATING	1050-1075nm
FIBER USED FOR ALIGNMENT	SM980-5.8-125
WAVELENGTH USED FOR ALIGNMENT	1064nm

THORLABS FIBER COLLIMATION PACKAGES ARE DESIGNED TO COLLIMATE A LASER BEAM PROPAGATING OUT THE END OF AN OPTICAL FIBER. EACH COLLIMATION PACKAGE IS FACTORY ALIGNED SO THAT THE LENS IS ONE FOCAL LENGTH AWAY FROM THE OUTPUT END OF THE FIBER.

	NAME	DATE
DRAWN	GG	07/30/2010
ENG APPR.	WD	08/16/2010
MFG APPR.	DD	08/16/2010

PROPRIETARY AND CONFIDENTIAL

THE INFORMATION CONTAINED IN THIS DRAWING IS THE SOLE PROPERTY OF THORLABS, INC. ANY REPRODUCTION IN PART OR AS A WHOLE WITHOUT THE WRITTEN PERMISSION OF THORLABS, INC. IS PROHIBITED.

THORLABS INC. PO BOX 366
NEWTON NJ

TITLE: $\lambda=1064\text{nm}$ FC/APC COLLIMATION PACKAGE, NA=0.25 f=11.17mm

MATERIAL: N/A SIZE A REV. A

SCALE: 2:1 SHEET 1 OF 1

DWG. NO. 19172-E01 PART NO. F220APC-1064