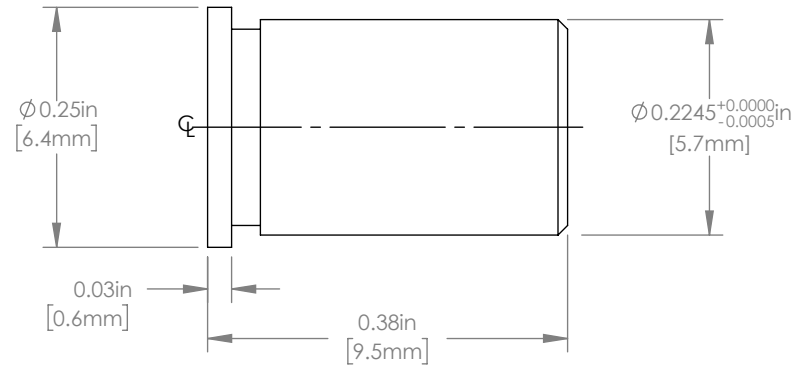
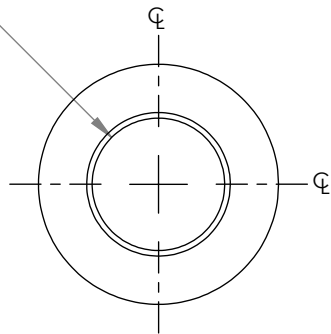


6-80-3B INTERNAL THREAD



FOR INFORMATION ONLY
NOT FOR MANUFACTURING PURPOSES

DRAWING PROJECTION

	NAME	DATE
DRAWN	WZ	01/AUG/19
APPROVAL	JC	01/AUG/19

COPYRIGHT © 2019 BY THORLABS
VALUES IN PARENTHESIS ARE CALCULATED AND MAY CONTAIN ROUND OFF ERRORS

THORLABS
www.thorlabs.com

6-80 X \varnothing 0.23in
0.38in LONG BUSHING

MATERIAL	BRONZE	REV B
----------	--------	----------

ITEM #	F6SSN2P	APPROX WEIGHT	1.8 g
--------	---------	---------------	-------