

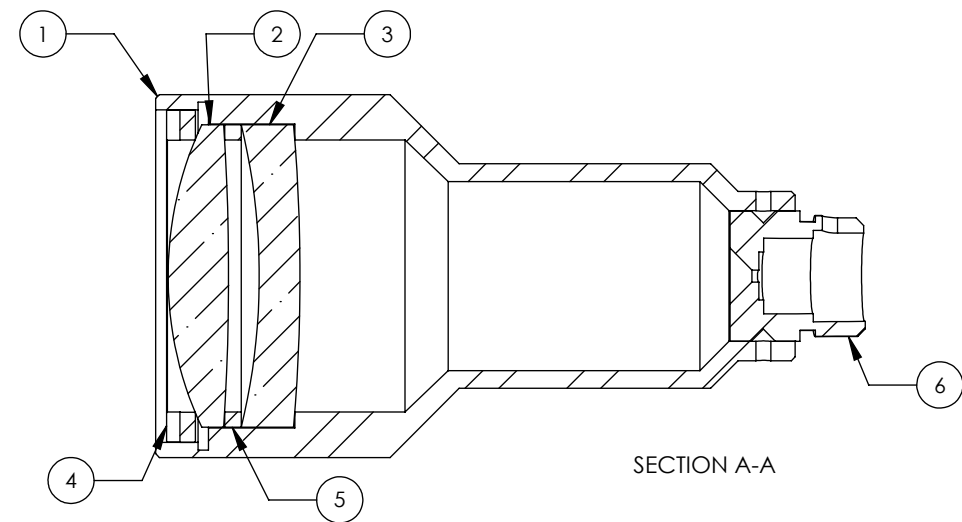
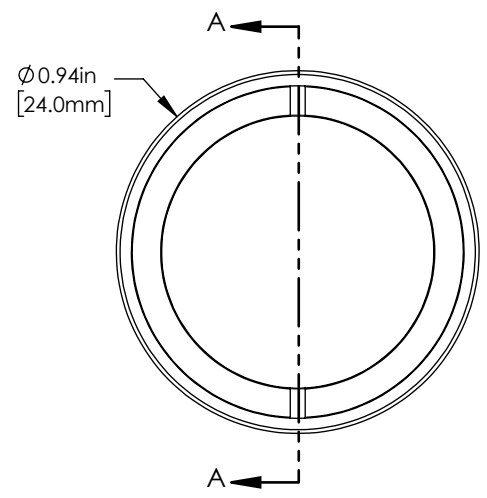
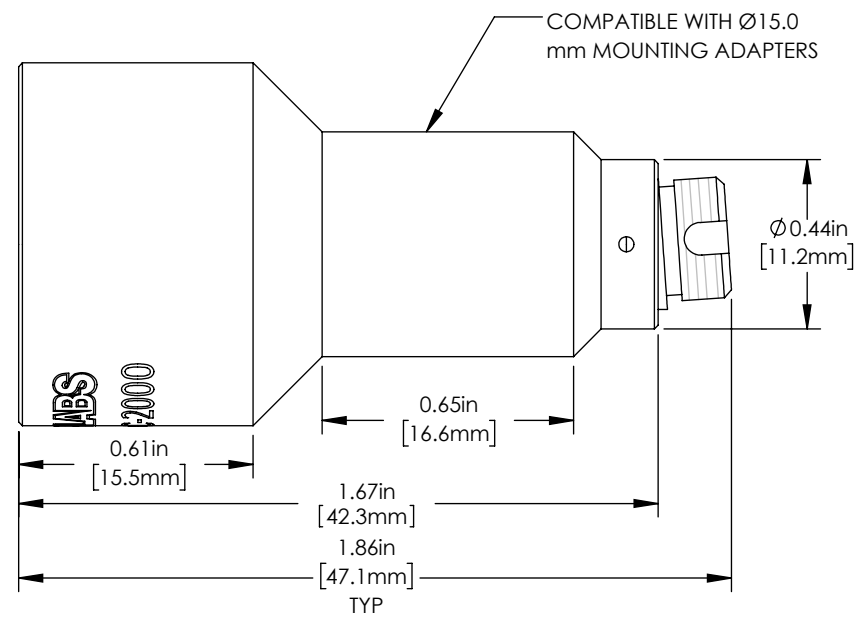
	ITEM	MATERIAL
①	HOUSING	303 STAINLESS STEEL
②	LENS	N-SF6
③	LENS	N-SF6
④	RETAINING RING	6061-T6 ALUMINUM
⑤	SPACER	303 STAINLESS STEEL
⑥	FC/APC PLUG ADAPTER	303 STAINLESS STEEL



1:1 ISOMETRIC VIEW

SPECIFICATIONS

DESIGN WAVELENGTH	2000 nm
DESIGN MFD	13.0 μm
OUTPUT $1/e^2$ BEAM DIAMETER	7.3 mm
FULL ANGLE BEAM DIVERGENCE	0.02°
AR COATING	BBAR 1800-2400 nm, $R_{\text{avg}} < 0.5\%$



SECTION A-A

THORLABS FIBER COLLIMATION PACKAGES ARE DESIGNED TO COLLIMATE A LASER BEAM PROPAGATING OUT THE END OF AN OPTICAL FIBER. EACH COLLIMATION PACKAGE IS FACTORY ALIGNED SO THAT THE BEST POSSIBLE DIVERGENCE IS ACHIEVED.

FOR INFORMATION ONLY
NOT FOR MANUFACTURING PURPOSES

DRAWING PROJECTION

	NAME	DATE
DRAWN	SFG	02/21/2011
APPROVAL	BAG	08/26/2021

COPYRIGHT © 2021 BY THORLABS
VALUES IN PARENTHESIS ARE CALCULATED AND MAY CONTAIN ROUND OFF ERRORS

THORLABS
www.thorlabs.com

$\lambda=2000$ nm APC COLLIMATION PACKAGE, NA=0.24, f=37.38 mm

MATERIAL SEE TABLE REV B

ITEM # F810APC-2000 APPROX WEIGHT 40 g