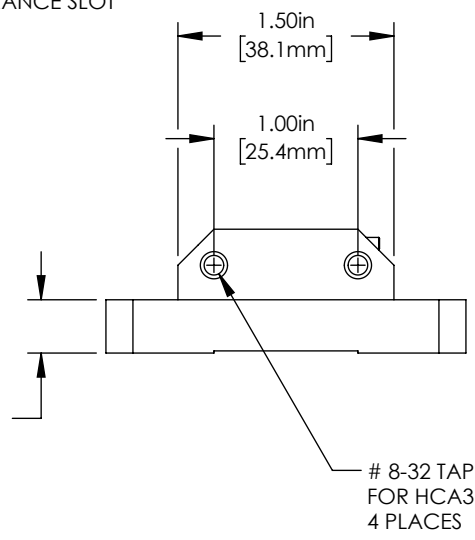
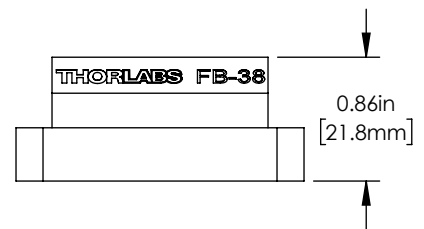


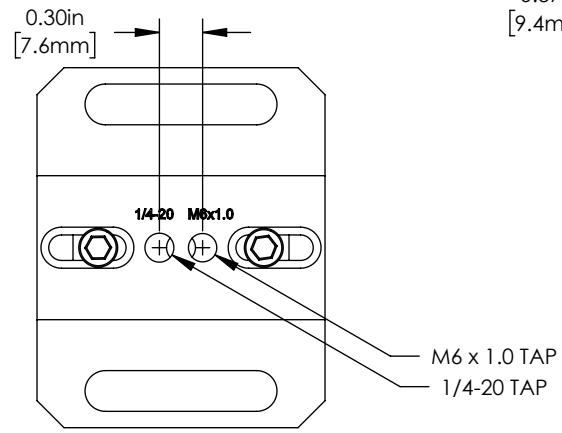
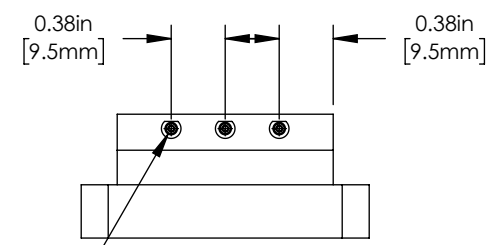
ISOMETRIC VIEW
SCALE: 3:4

Ø0.13in [3.2mm]
SLIP FIT HOLES FOR
FIBERBENCH ACCESSORIES
6 PLACES

1/4-20(M6) CLEARANCE SLOT
FOR MOUNTING
2 PLACES



8-32 TAP
FOR HCA3 FIBER BENCH WALL PLATE
4 PLACES



NOTE:
INCLUDED BUT NOT SHOWN
0.9mm HEX KEY (HKM9)

FOR INFORMATION ONLY
NOT FOR MANUFACTURING PURPOSES

DRAWING PROJECTION		
NAME	DATE	
DRAWN CB	08/AUG/11	
APPROVAL BAG	12/SEP/18	
COPYRIGHT © 2018 BY THORLABS		
VALUES IN PARENTHESIS ARE CALCULATED AND MAY CONTAIN ROUND OFF ERRORS		

THORLABS www.thorlabs.com	
FIBER BENCH, 38mm	
MATERIAL	REV G
N/A	
ITEM #	APPROX WEIGHT
FB-38	0.18kg