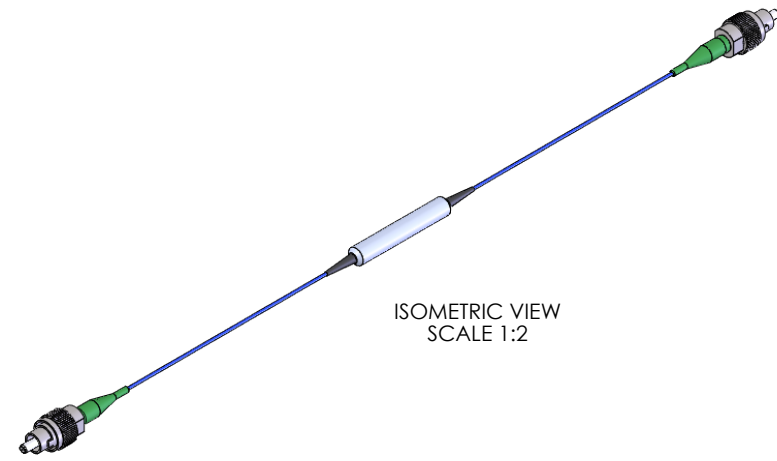
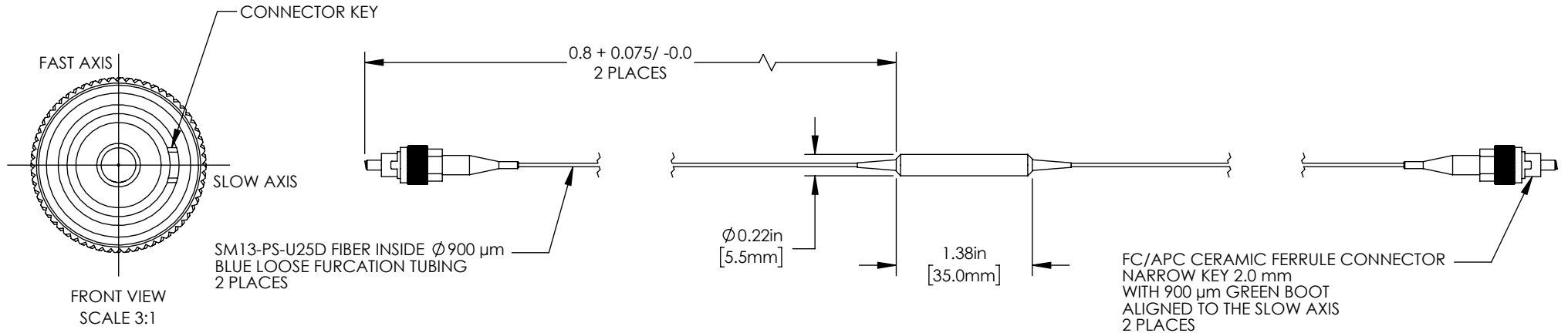


SPECIFICATIONS	
CENTER WAVELENGTH (nm)	1310
BANDWIDTH (nm)	±50
TYP. INSERTION LOSS AT 23°C (dB)	0.60
INSERTION LOSS AT 23°C (dB)	≤ 0.80
TYP. EXTINCTION RATIO AT 23°C (dB)	28
EXTINCTION RATIO AT 23°C (dB)	≥ 26
RETURN LOSS (dB)	≥ 45
POWER HANDLING (mW)	≤ 300
OPERATING TEMPERATURE (°C)	-5 ~ +70
STORAGE TEMPERATURE (°C)	-40 ~ +80



ISOMETRIC VIEW
SCALE 1:2



FOR INFORMATION ONLY
NOT FOR MANUFACTURING PURPOSES

DRAWING PROJECTION			THORLABS www.thorlabs.com	
NAME	DATE	FIBER IN-LINE POLARIZER, 1310 nm, PM/PM PIGTAILS, FC/APC		
DRAWN LM	02/14/2022	MATERIAL	N/A	REV D
APPROVAL CRL	06/17/2022	ITEM #	ILP1310PM-APC	APPROX WEIGHT 0.09 kg
COPYRIGHT © 2022 BY THORLABS				
VALUES IN PARENTHESIS ARE CALCULATED AND MAY CONTAIN ROUND OFF ERRORS				