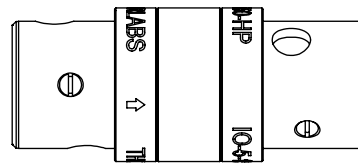
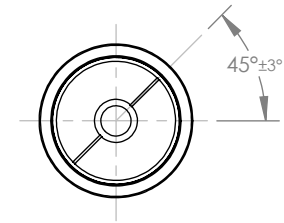
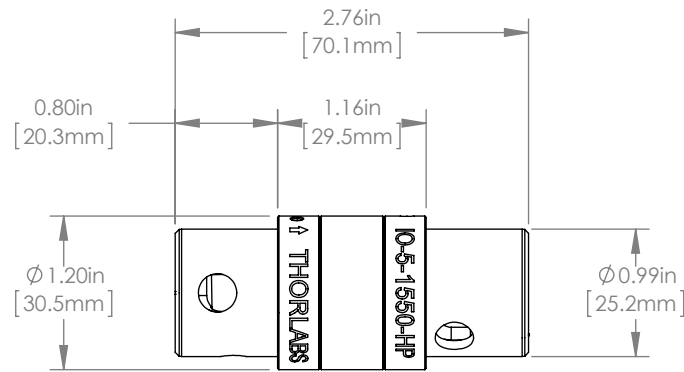
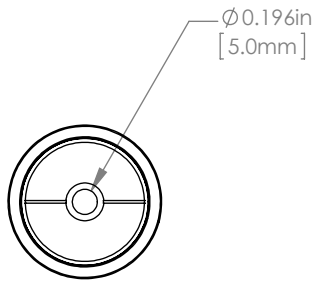
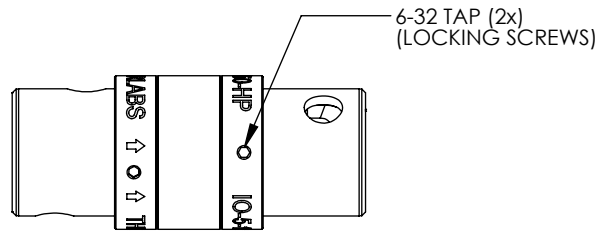


SEE SHEET 2 FOR CONFIGURATION WITHOUT SM1RC SLIP RING

FOR INFORMATION ONLY  
NOT FOR MANUFACTURING PURPOSES

DRAWING PROJECTION			<b>THORLABS</b> www.thorlabs.com	
NAME	DATE	ADJUSTABLE FREE-SPACE ISOLATOR 1550nm, 4.7mm MAX BEAM		
DRAWN	ET	28/MAR/14	MATERIAL	
APPROVAL	WD	3/APR/14	N/A	
COPYRIGHT © 2014 BY THORLABS			ITEM #	APPROX WEIGHT
VALUES IN PARENTHESIS ARE CALCULATED AND MAY CONTAIN ROUND OFF ERRORS			IO-5-1550-HP	0.10 kg
			REV	D



FOR INFORMATION ONLY  
NOT FOR MANUFACTURING PURPOSES

DRAWING PROJECTION

	NAME	DATE
DRAWN	ET	28/MAR/14
APPROVAL	WD	3/APR/14

COPYRIGHT © 2014 BY THORLABS

VALUES IN PARENTHESIS ARE CALCULATED AND MAY CONTAIN ROUND-OFF ERRORS

**THORLABS**  
www.thorlabs.com

ADJUSTABLE FREE-SPACE ISOLATOR  
1550nm, 4.7mm MAX BEAM

MATERIAL	N/A	REV D
----------	-----	-------

ITEM #	APPROX WEIGHT
IO-5-1550-HP	0.08 kg