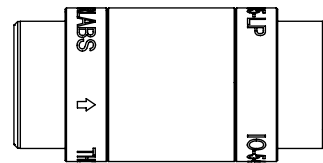
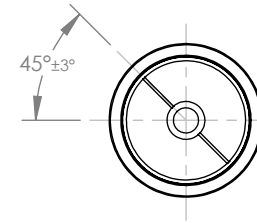
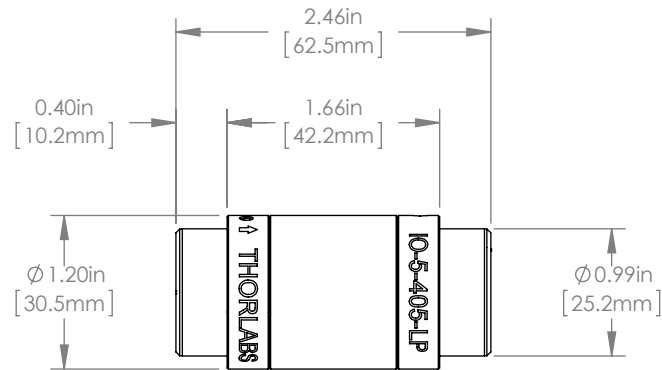
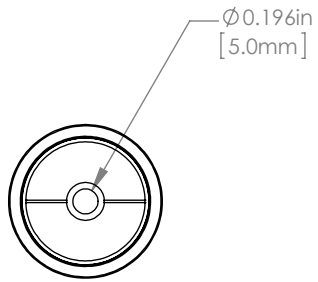
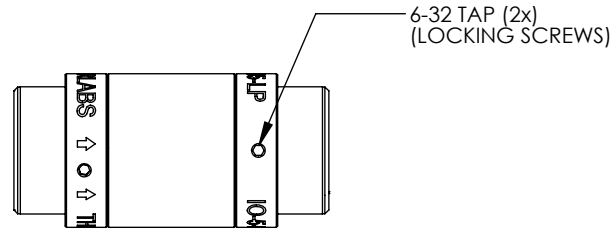


SEE SHEET 2 FOR CONFIGURATION WITHOUT SM1RC SLIP RING

FOR INFORMATION ONLY
NOT FOR MANUFACTURING PURPOSES

DRAWING PROJECTION			THORLABS www.thorlabs.com ADJUSTABLE FREE-SPACE ISOLATOR 405nm, 4.5mm MAX BEAM	
NAME	DATE			
DRAWN	ET	27/MAR/14	MATERIAL	
APPROVAL	WD	3/APR/14		
COPYRIGHT © 2014 BY THORLABS			N/A	
VALUES IN PARENTHESIS ARE CALCULATED AND MAY CONTAIN ROUND OFF ERRORS			ITEM #	APPROX WEIGHT
			IO-5-405-LP	0.12 kg
				REV C



FOR INFORMATION ONLY
NOT FOR MANUFACTURING PURPOSES

DRAWING PROJECTION

	NAME	DATE
DRAWN	ET	27/MAR/14
APPROVAL	WD	3/APR/14

COPYRIGHT © 2014 BY THORLABS

VALUES IN PARENTHESIS ARE CALCULATED AND MAY CONTAIN ROUND OFF ERRORS

THORLABS
www.thorlabs.com

ADJUSTABLE FREE-SPACE ISOLATOR
405nm, 4.5mm MAX BEAM

MATERIAL	REV
N/A	C

ITEM #	APPROX WEIGHT
IO-5-405-LP	0.10 kg