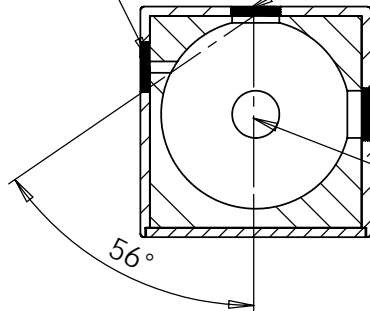


Ø 3MM DETECTOR PORT
WITH SM05 MOUNTING THREAD

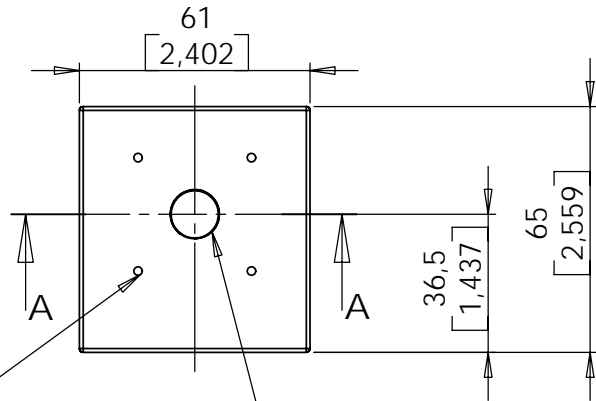
0° 12.5MM ENTRANCE PORT

90° 12.5MM PORT
WITH SM05 MOUNTING THREAD

North Pole 12.5MM PORT
WITH SM05 MOUNTING THREAD

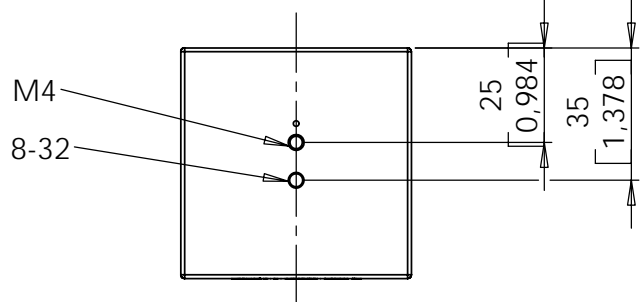


SECTION A-A



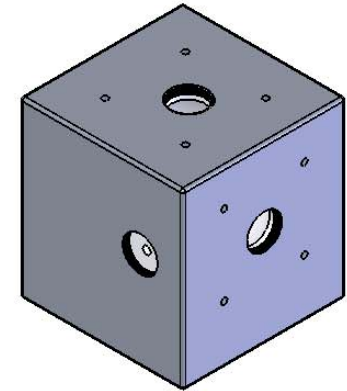
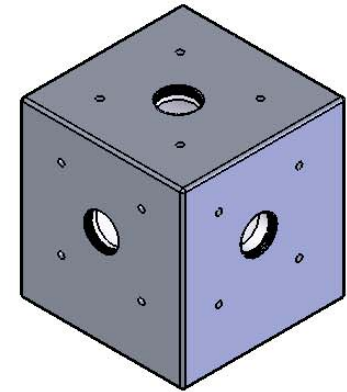
4 x 4-40 THREADS FOR
30MM CAGE SYSTEM

SM05 MOUNTING THREAD



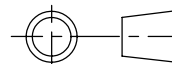
BOTTOM VIEW
MOUNTING THREADS

REV. #	DESCRIPTION:	NAME/DATE:
A	INITIAL RELEASE	Go 08/23/05



UNLESS OTHERWISE SPECIFIED:
DIMENSIONS ARE IN MILLIMETERS
TOLERANCES: DIN ISO 2768 fein

DEBUR AND
BREAK SHARP
EDGES



THORLABS Karlsfeld
Germany

	NAME	DATE
DRAWN	Go	06.06.2005
CHK'D		
APPV'D		

MATERIAL:

TITLE:
**2 INCH GENERAL PURPOSE
INTEGRATING SPHERE**

NO PART OF THIS DRAWING MAY BE
REPRODUCED OR TRANSMITTED IN ANY
FORM OR BY ANY MEANS INCLUDING
PHOTOCOPYING OR RECORDING
WITHOUT THE PRIOR WRITTEN
PERMISSION OF THORLABS GMBH

FINISH / TREATMENT:

PART NO. **IS200** REV **A**
DWG NO. **IS2-Baugruppe-Support Drawing** SIZE **A4**