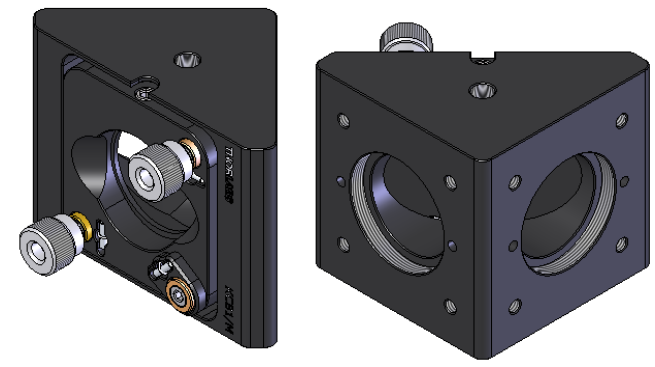
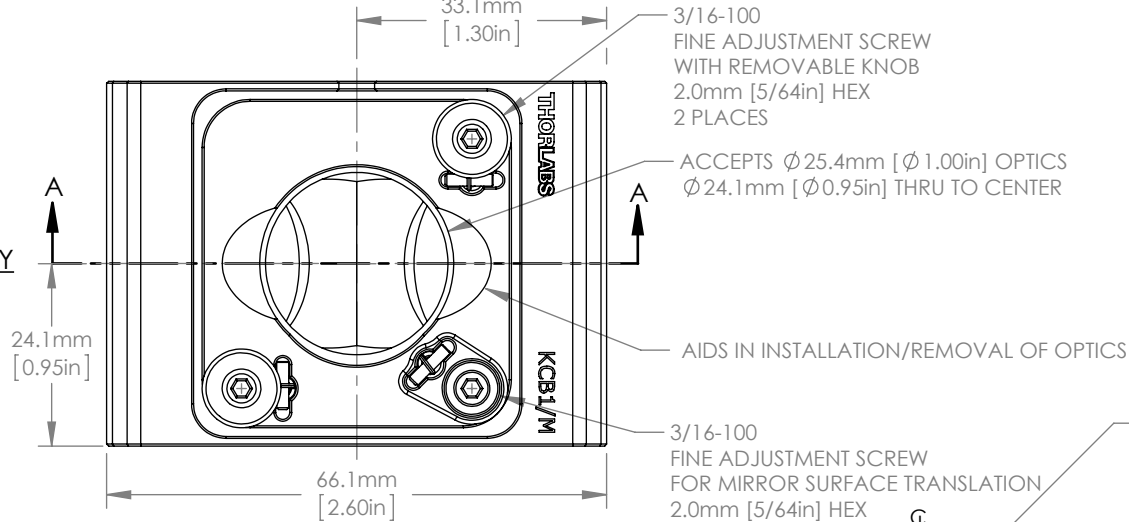


AUXILIARY VIEW

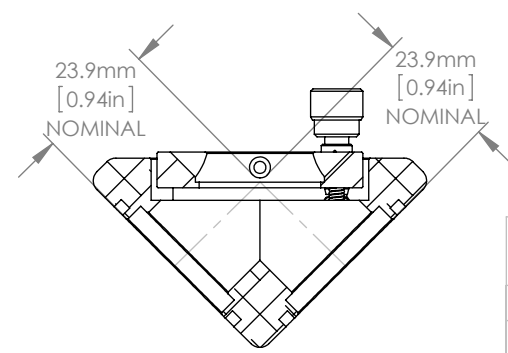
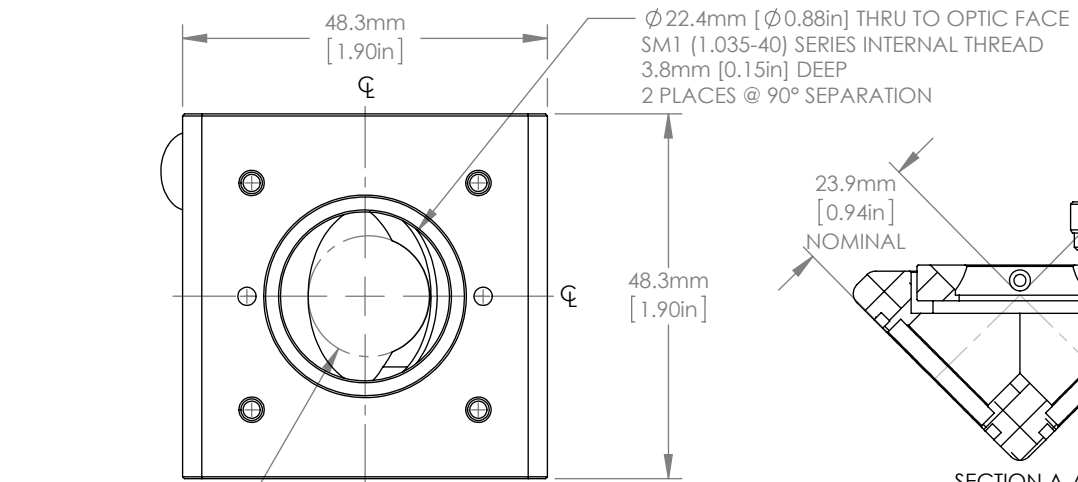
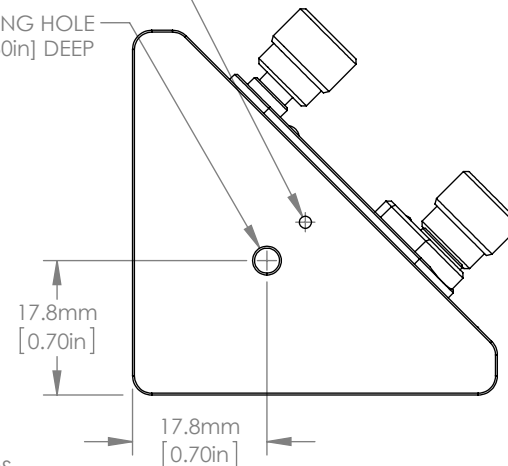
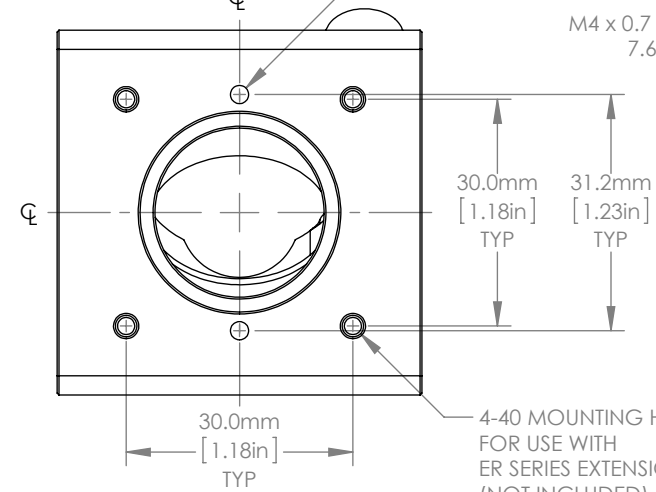
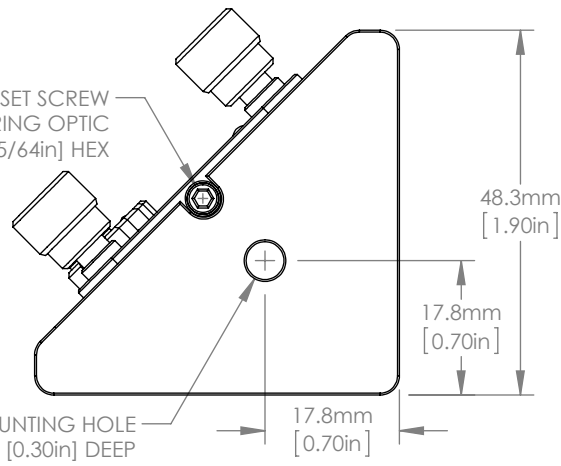


ϕ 2.4mm [ϕ 0.09in] ALIGNMENT HOLES FOR CAGE CUBE CONNECTORS (C4W-CC) (NOT INCLUDED)
4 PLACES

METRIC ID MARK

M4 x 0.7 MOUNTING HOLE
7.6mm [0.30in] DEEP

8-32 NYLON TIP SET SCREW FOR SECURING OPTIC
2.0mm [5/64in] HEX



SECTION A-A
DISTANCE TO OPTICAL CENTER
SCALE 1 : 1.5

**FOR INFORMATION ONLY
NOT FOR MANUFACTURING PURPOSES**

DRAWING PROJECTION			
NAME	TQ	DATE	08/JAN/15
APPROVAL	WG	DATE	09/JAN/15
COPYRIGHT © 2015 BY THORLABS			
VALUES IN PARENTHESIS ARE CALCULATED AND MAY CONTAIN ROUND OFF ERRORS			

THORLABS www.thorlabs.com		
METRIC 90° KINEMATIC CAGE BLOCK FOR 1.0" OPTICS		
MATERIAL	N/A	REV B
ITEM #	KCB1/M	APPROX WEIGHT 0.16 kg