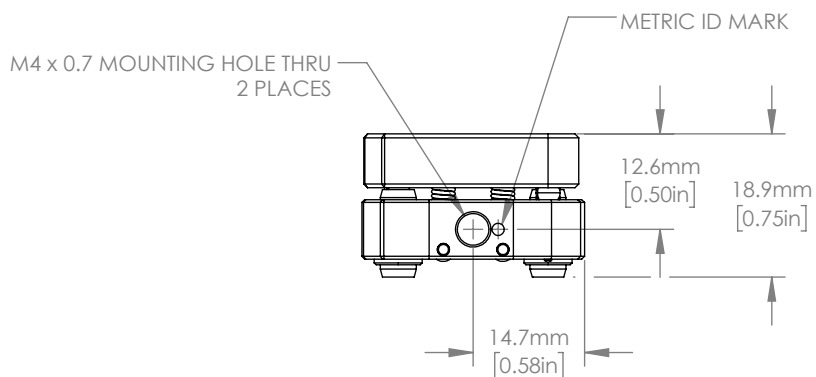
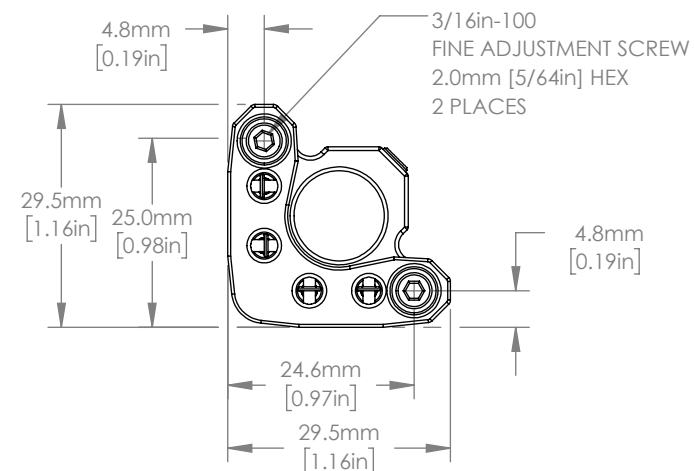
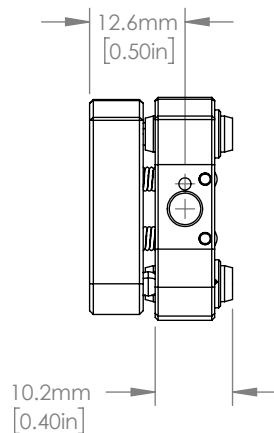
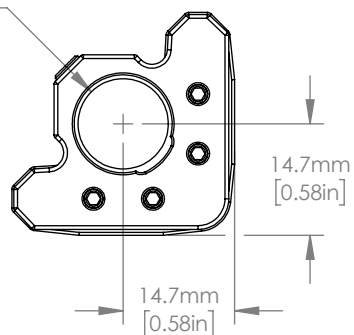


ϕ 13.0mm [ϕ 0.51in]
5.3mm [0.21in] DEEP
 ϕ 11.9mm [ϕ 0.47in] CLEAR APERTURE



FOR INFORMATION ONLY
NOT FOR MANUFACTURING PURPOSES

DRAWING PROJECTION			THORLABS www.thorlabs.com	
NAME	DATE	METRIC ϕ 0.50in MIRROR MOUNT		
DRAWN JC	02/MAY/16	MATERIAL		REV F
APPROVAL PG	02/MAY/16	N/A		
COPYRIGHT © 2016 BY THORLABS				
VALUES IN PARENTHESIS ARE CALCULATED AND MAY CONTAIN ROUND OFF ERRORS				
ITEM #	APPROX WEIGHT			
KM05/M	26.3 g			