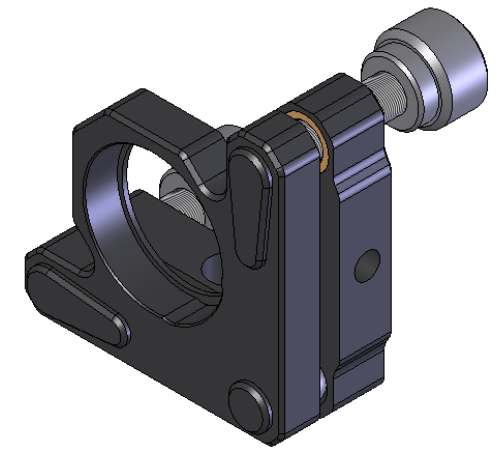
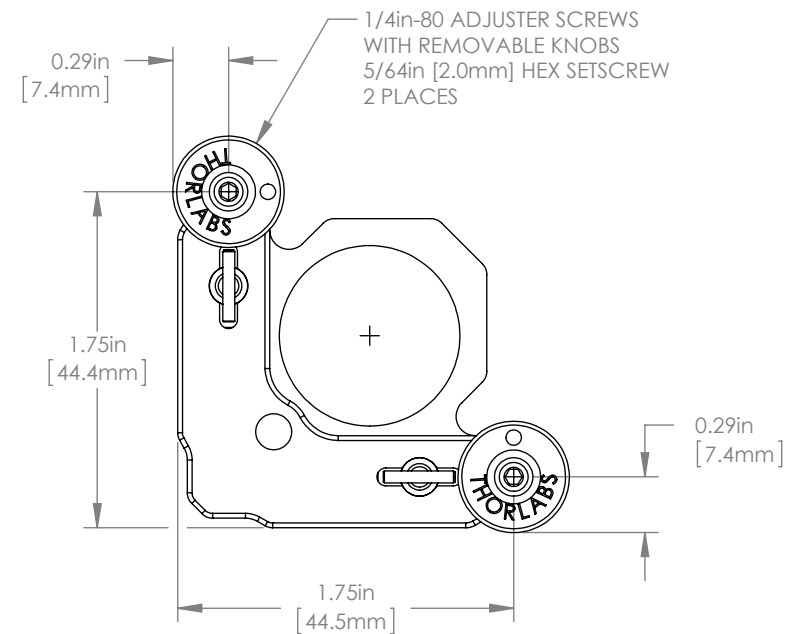
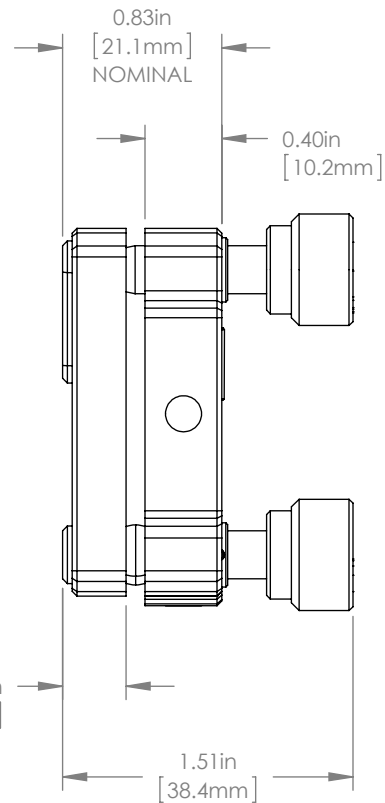
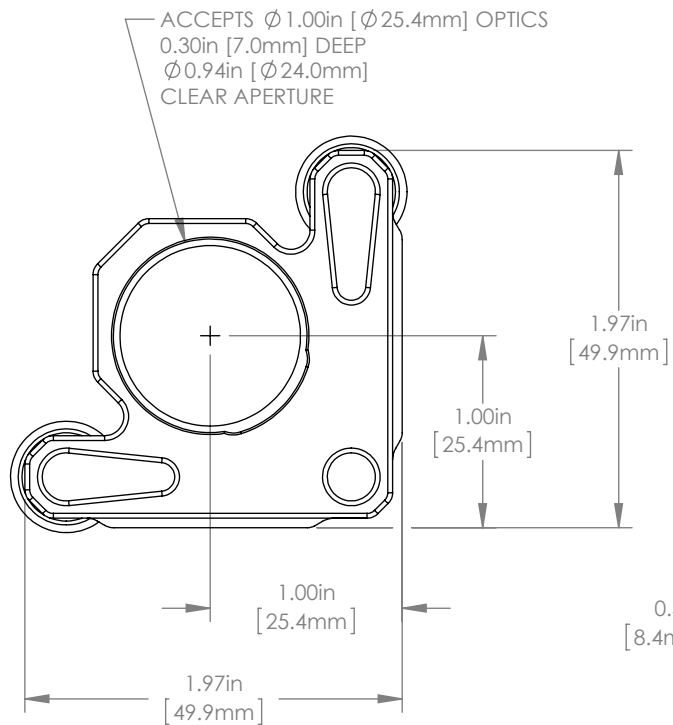


8-32 NYLON-TIPPED SETSCREW
5/64in [2.0mm] HEX



FOR INFORMATION ONLY
NOT FOR MANUFACTURING PURPOSES

DRAWING PROJECTION			THORLABS www.thorlabs.com	
NAME	DATE	KM100 KINEMATIC MIRROR MOUNT		
REDRAWN	CG	09/OCT/14	MATERIAL	
APPROVAL	JC	28/OCT/14	ALUMINUM	REV C
COPYRIGHT © 2014 BY THORLABS				
VALUES IN PARENTHESIS ARE CALCULATED AND MAY CONTAIN ROUND-OFF ERRORS			ITEM #	APPROX WEIGHT
			KM100	0.08 kg