



L637P5

Description

Thorlabs' Ø5.6 mm, TO-can package, discrete laser diode is a compact light source suited to many applications. This diode is manufactured by Oclaro as Item # HL63101MG. This laser is fully compatible with our line of Laser Diode and TEC Controllers as well as our selection of Laser Diode Mounts and Collimation Solutions.

Specifications

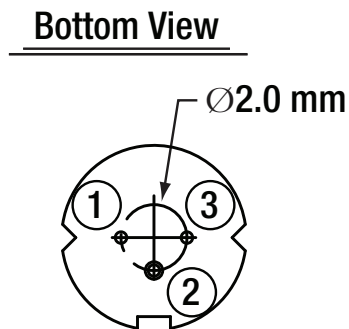
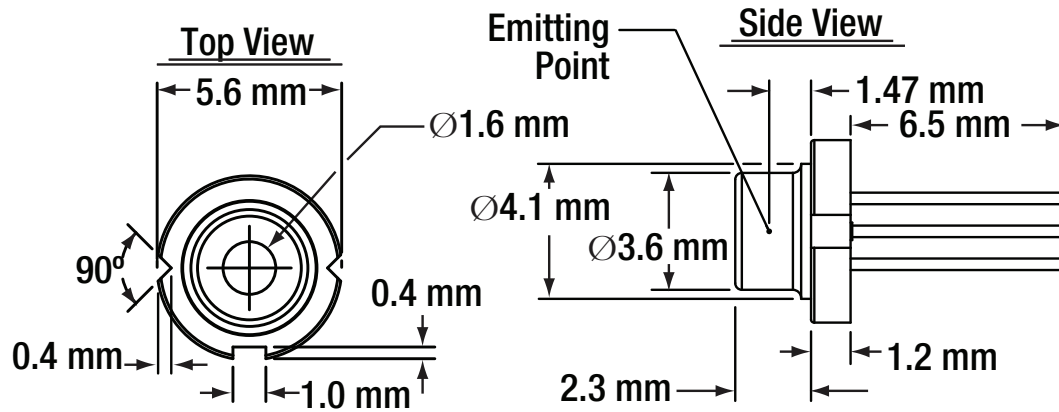
Absolute Max Ratings	
Specification	Max
Output Power	7 mW
LD Reverse Voltage	2 V
PD Reverse Voltage	30 V
Operating Temperature	-10 to 60 °C
Storage Temperature	-40 to 85 °C



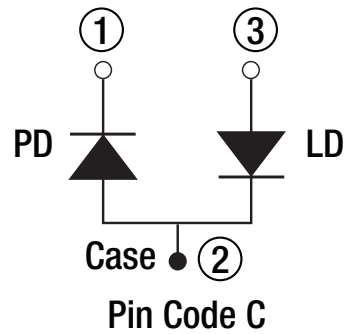
L637P5				
	Symbol	Min	Typical	Max
Center Wavelength	λ_o	630 nm	637 nm	640 nm
Output Power	P_o	-	5 mW	-
Operating Current CW @ P_o	I_{op}	-	20 mA	25 mA
Threshold Current	I_{TH}	-	15 mA	20 mA
Monitor Current @ P_o	I_s	0.1 mA	0.2 mA	0.5 mA
Operating Voltage @ P_o	V_{op}	-	2.2 V	2.4 V
Beam Divergence (FWHM) Parallel @ P_o	$\theta_{//}$	5°	8°	11°
Beam Divergence (FWHM) Perpendicular @ P_o	θ_{\perp}	28°	34°	40°
Slope Efficiency	η	-	1.0 W/A	-

$T_{CHIP} = 25^{\circ}C$

Drawings



Pin Diagram



Pin	Description
1	Monitor Diode Cathode
2	Case Common
3	Laser Anode