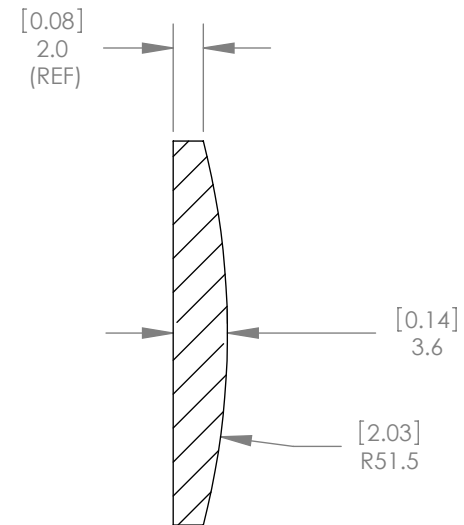
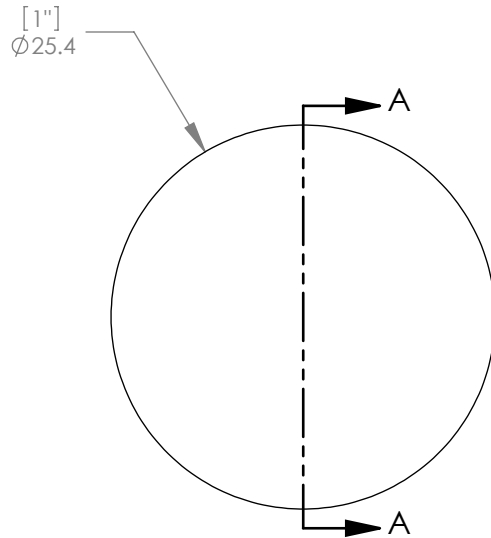




1:1 ISOMETRIC VIEW FOR REFERENCE ONLY



SECTION A-A

NOTES/SPECIFICATIONS:

1. DESIGN WAVELENGTH: 587.6nm
2. FOCAL LENGTH:  $f=99.7\text{mm} \pm 1\%$
3. BACK FOCAL LENGTH(REF):  $bf=97.3\text{mm}$
4. CLEAR APERTURE: >90%
5. SURFACE QUALITY: 40-20 SCRATCH-DIG
6. CENTRATION: <3arcmin
7. DIAMETER TOLERANCE: +0.0/-0.1mm
8. THICKNESS TOLERANCE:  $\pm 0.1\text{mm}$
9. COATING: BBAR  $R_{avg} < 0.5\%$  FROM 650nm-1050nm,  $0^\circ$  AOI, ON OUTER OPTICAL SURFACES

ALL DIMENSIONS ARE IN THE FORM [in] mm:  
THIS DRAWING IS FOR INFORMATION ONLY  
NOT INTENDED FOR MANUFACTURING

**THORLABS INC.** PO BOX 366  
NEWTON NJ

TITLE: D=25.4 F=100.0 N-BK7 B  
COAT PLANO CONVEX LENS

MATERIAL: N-BK7 SIZE A REV. B

SCALE: 2:1 SHEET 1 OF 1

DWG. NO. 4495-E01 PART NO. LA1509-B

	NAME	DATE
DRAWN	WD	11/19/2009
ENG APPR.	BW	11/24/2009
MFG APPR.	DD	12/09/2009

**PROPRIETARY AND CONFIDENTIAL**

THE INFORMATION CONTAINED IN THIS DRAWING IS THE SOLE PROPERTY OF THORLABS, INC. ANY REPRODUCTION IN PART OR AS A WHOLE WITHOUT THE WRITTEN PERMISSION OF THORLABS, INC. IS PROHIBITED.