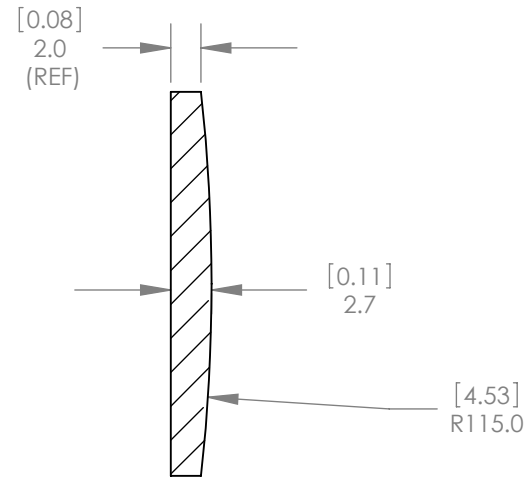
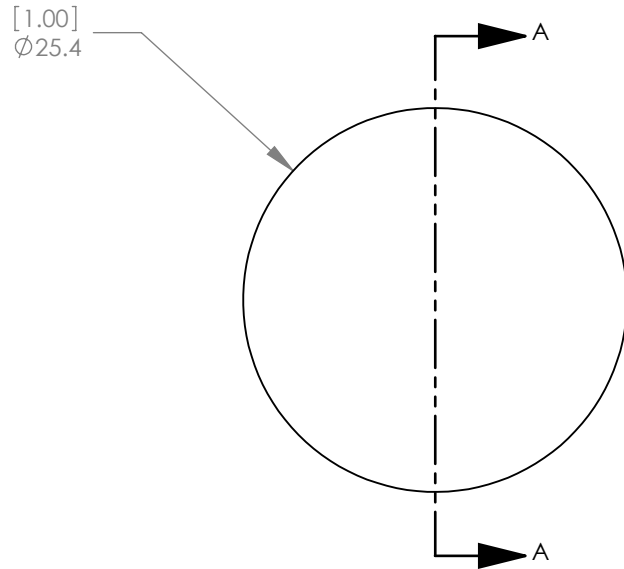




1:1 ISOMETRIC VIEW FOR REFERENCE ONLY



SECTION A-A

NOTES/SPECIFICATIONS:

1. DESIGN WAVELENGTH: 587.6nm
2. FOCAL LENGTH: f=250.9mm ± 1%
3. BACK FOCAL LENGTH(REF): bf=249.0mm
4. CLEAR APERTURE: >90%
5. SURFACE QUALITY: 40-20 SCRATCH-DIG
6. CENTRATION: <3arcmin
7. DIAMETER TOLERANCE: +0.0/-0.1mm
8. THICKNESS TOLERANCE: ±0.1mm

ALL DIMENSIONS ARE IN THE FORM  $\frac{[in]}{mm}$ .  
THIS DRAWING IS FOR INFORMATION ONLY  
NOT INTENDED FOR MANUFACTURING

	NAME	DATE
DRAWN	JC	07/19/2010
ENG APPR.	WD	08/25/2010
MFG APPR.	PM	08/26/2010

**PROPRIETARY AND CONFIDENTIAL**

THE INFORMATION CONTAINED IN THIS DRAWING IS THE SOLE PROPERTY OF THORLABS, INC. ANY REPRODUCTION IN PART OR AS A WHOLE WITHOUT THE WRITTEN PERMISSION OF THORLABS, INC. IS PROHIBITED.

**THORLABS INC.** PO BOX 366  
NEWTON NJ

TITLE: D=25.40 F=250.00 UV FUSED SILICA  
PLANO CONVEX LENS

MATERIAL: UV FUSED SILICA      SIZE A      REV. B

SCALE: 2:1      SHEET 1 OF 1

DWG. NO. 3305-E01      PART NO. LA4158