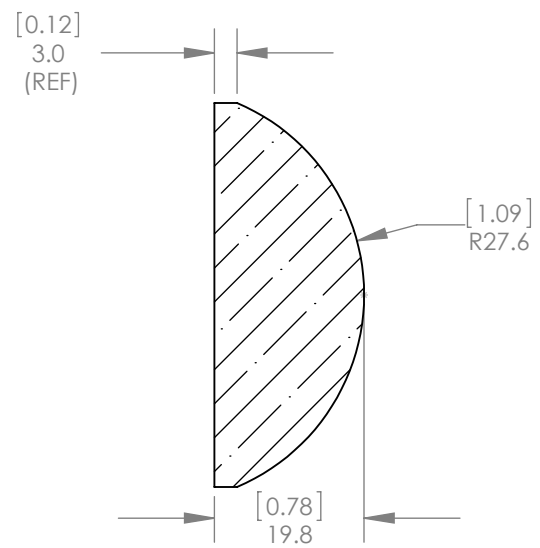
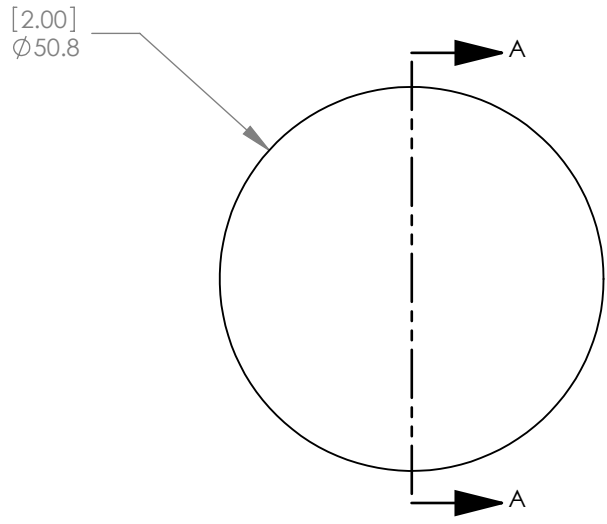




1:2 ISOMETRIC VIEW FOR REFERENCE ONLY



SECTION A-A

NOTES/SPECIFICATIONS:

1. DESIGN WAVELENGTH: 587.6nm
2. FOCAL LENGTH: $f=60.2\text{mm} \pm 1\%$
3. BACK FOCAL LENGTH(REF): $bf=46.6\text{mm}$
4. CLEAR APERTURE: $>90\%$
5. SURFACE QUALITY: 40-20 SCRATCH-DIG
6. CENTRATION: $<3\text{arcmin}$
7. DIAMETER TOLERANCE: $+0.0/-0.1\text{mm}$
8. THICKNESS TOLERANCE: $\pm 0.1\text{mm}$

	NAME	DATE
DRAWN	JC	07/19/2010
ENG APPR.	WD	05/14/2012
MFG APPR.	DD	05/15/2012

PROPRIETARY AND CONFIDENTIAL
 THE INFORMATION CONTAINED IN THIS DRAWING IS THE SOLE PROPERTY OF THORLABS, INC. ANY REPRODUCTION IN PART OR AS A WHOLE WITHOUT THE WRITTEN PERMISSION OF THORLABS, INC. IS PROHIBITED.

THORLABS INC.		PO BOX 366 NEWTON NJ	
TITLE: D=50.80 F=60.00 UV FUSED SILICA PLANO CONVEX LENS			
MATERIAL: UV FUSED SILICA		SIZE: A	REV.: C
SCALE: 1:1		SHEET 1 OF 1	
DWG. NO. 3310-E01	PART NO. LA4464		