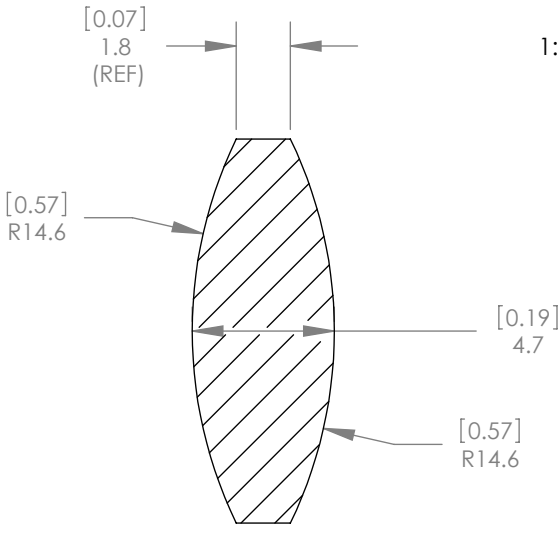
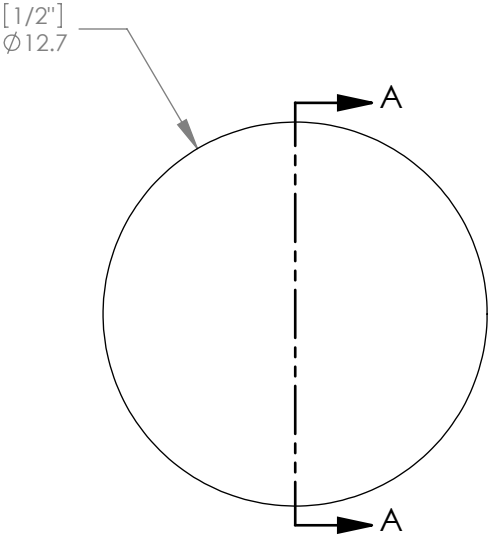




1:1 ISOMETRIC VIEW FOR REFERENCE ONLY



SECTION A-A

- NOTES/SPECIFICATIONS:
- DESIGN WAVELENGTH: 587.6nm
 - FOCAL LENGTH: $f=15.0\text{mm} \pm 1\%$
 - BACK FOCAL LENGTH(REF): $bf=13.3\text{mm}$
 - CLEAR APERTURE: $>90\%$
 - SURFACE QUALITY: 40-20 SCRATCH-DIG
 - CENTRATION: $<3\text{arcmin}$
 - DIAMETER TOLERANCE: $+0.0/-0.1\text{mm}$
 - THICKNESS TOLERANCE: $\pm 0.1\text{mm}$

ALL DIMENSIONS ARE IN THE FORM [in]
mm:
THIS DRAWING IS FOR INFORMATION ONLY
NOT INTENDED FOR MANUFACTURING

THORLABS INC. PO BOX 366
NEWTON NJ

	NAME	DATE
DRAWN	WD	11/19/2009
ENG APPR.	BW	11/24/2009
MFG APPR.	DD	12/09/2009

TITLE: D=12.7 F=15.0 N-BK7 BI
CONVEX LENS

MATERIAL: N-BK7 SIZE A REV. B

SCALE: 4:1 SHEET 1 OF 1

DWG. NO. 3350-E01 PART NO. LB1092