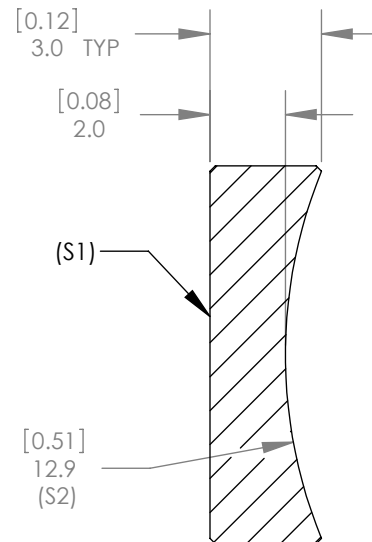
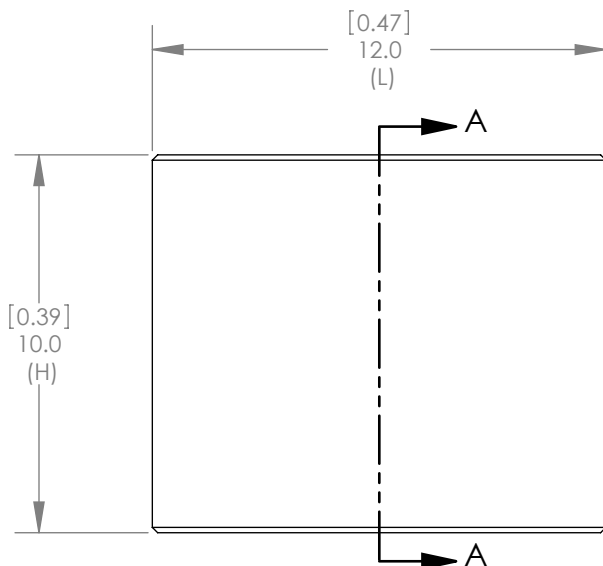


1:1 ISOMETRIC VIEW FOR REFERENCE ONLY



SECTION A-A

NOTES/SPECIFICATIONS:

1. DESIGN WAVELENGTH: 587.6nm
2. FOCAL LENGTH:  $f = -24.88\text{mm} \pm 1\%$
3. BACK FOCAL LENGTH(REF):  $bf = -26.2\text{mm}$
4. CLEAR APERTURE: >90% OF SURFACE LENGTH AND HEIGHT
5. SURFACE QUALITY: 60-40 SCRATCH-DIG
6. CENTRATION:  $\leq 5\text{arcmin}$
7. LENGTH AND HEIGHT TOLERANCE:  $+0.0/-0.1\text{mm}$
8. THICKNESS TOLERANCE:  $\pm 0.1\text{mm}$
9. SURFACE ACCURACY:  
 POWER = 1 FRINGE (S1), 3 FRINGES (S2)  
 IRREGULARITY =  $\lambda/4$  (S1),  $\lambda$  (S2 H),  $\lambda/\text{cm}$  (S2 L)

ALL DIMENSIONS ARE IN THE FORM  $\frac{[in]}{mm}$

**THORLABS INC.** PO BOX 366  
NEWTON NJ

	NAME	DATE
DRAWN	BAG	03/22/2010
ENG APPR.	SG	04/07/2010
MFG APPR.	DD	04/21/2010

TITLE: H=10.0 L=12.0 F=-24.9 CYLINDRICAL  
N-BK7 PLANO CONCAVE LENS

MATERIAL: N-BK7 SIZE A REV. B

SCALE: 5:1 SHEET 1 OF 1

DWG. NO. 3992-E01 PART NO. LK1426L1

**PROPRIETARY AND CONFIDENTIAL**  
 THE INFORMATION CONTAINED IN THIS DRAWING IS THE SOLE PROPERTY OF THORLABS, INC. ANY REPRODUCTION IN PART OR AS A WHOLE WITHOUT THE WRITTEN PERMISSION OF THORLABS, INC. IS PROHIBITED.