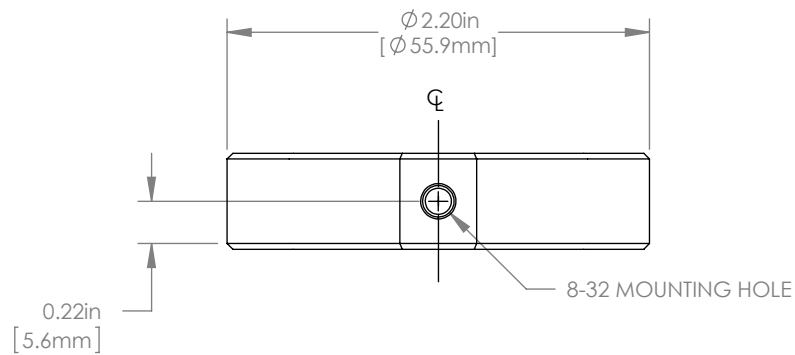
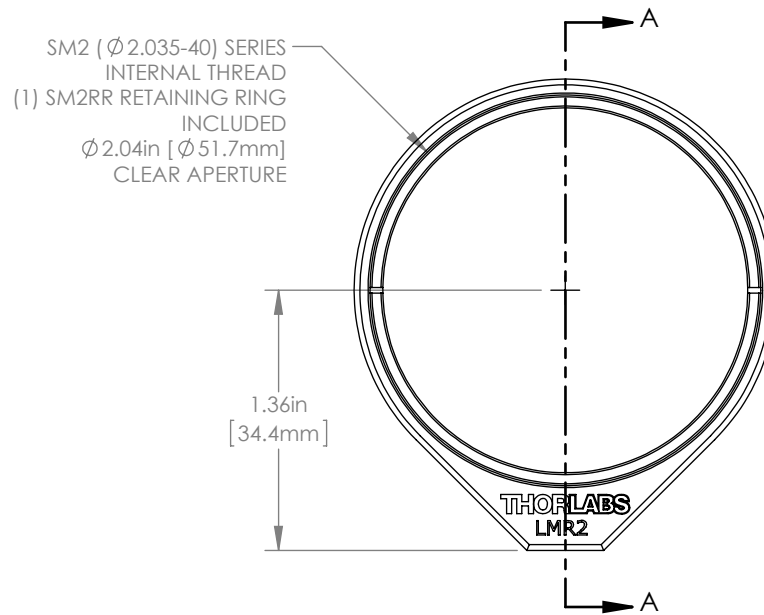


SECTION A-A



FOR INFORMATION ONLY
NOT FOR MANUFACTURING PURPOSES

DRAWING PROJECTION			THORLABS www.thorlabs.com	
REDRAWN	NAME	DATE	LMR2 LENS MOUNTING RING	
APPROVAL	CG	20/MAR/15	MATERIAL	REV
	AK	01/MAY/15	ANODIZED ALUMINUM	E
COPYRIGHT © 2015 BY THORLABS			ITEM #	APPROX WEIGHT
VALUES IN PARENTHESIS ARE CALCULATED AND MAY CONTAIN ROUND OFF ERRORS			LMR2	0.02 kg