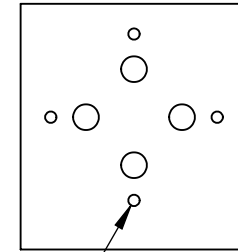
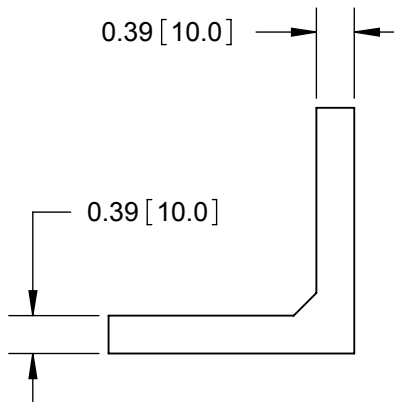
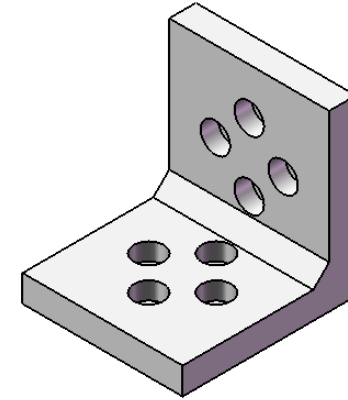
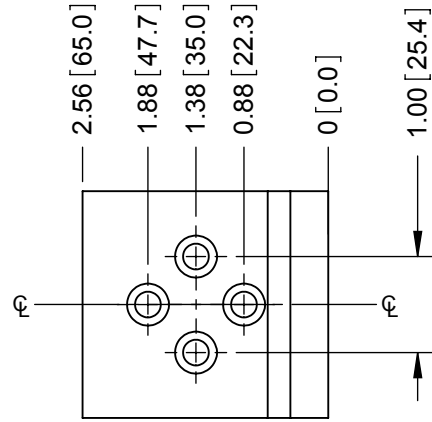
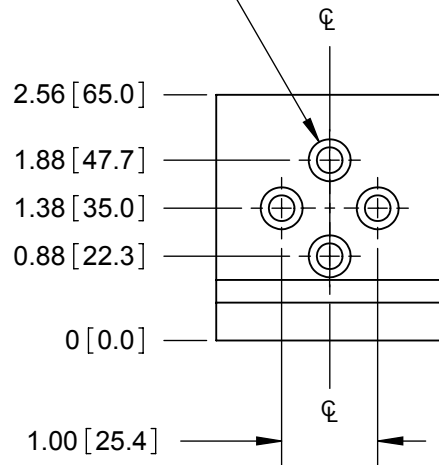


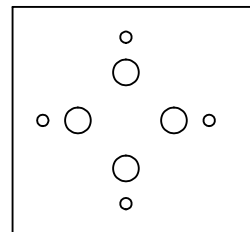
NOTES:

DO NOT SCALE

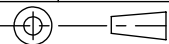
4 X COUNTERBORES
FOR 1/4-20 OR M6
SOCKET CAP SCREWS
(2 FACES)



4 X ALIGNMENT PIN HOLES
FOR MOUNTING LNR25 STAGES
(2 FACES)



1	ENGINEERING SUPPORT DRAWING	04.06.2010
ISSUE	C/N NUMBER	DATE
TOLERANCES X=±1 X.X=±0.25 X.XX=±0.1 ANGULAR=±0°30'		ALL DIMENSIONS IN MILLIMETRES
THIRD ANGLE PROJECTION DRAWN TO BS.308		



THORLABS		COPYRIGHT © THORLABS ALL RIGHTS RESERVED NO UNAUTHORISED DUPLICATION OR MANUFACTURE PERMITTED	
TITLE Vertical Mounting Bracket for LNR25 Stage			
DATE 04.06.2010	DWG LNR25P2	ISSUE 1	
DRAWN <i>C/L</i>	APPD.	SCALE 1:2	A4 SHEET 1 OF 1