

Description

Thorlabs' Single Mode Pigtailed Laser Diodes are standard TO-packaged diodes that have been pigtailed to a 1 m long single mode fiber with an FC/PC connector. Each unit is tested before shipment. Please refer to the unit-specific test datasheet for optimal operating parameters.

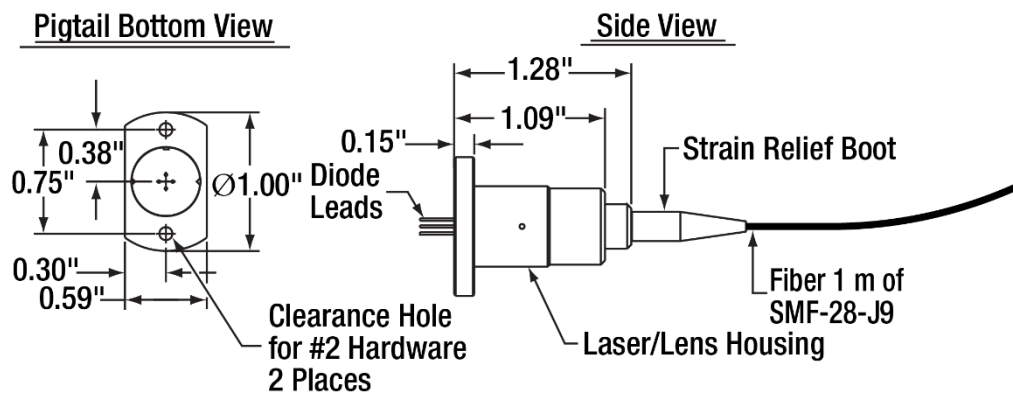
Specifications

LPS-1310-FC Specifications	
LD Reverse Voltage (Max)	2V
PD Reverse Voltage (Max)	20 V
Optical Output Power	2.5 mW (Typ.) 3.0 mW (Max)
Operating Temperature	0 to 50 °C
Storage Temperature	-10 to 65 °C
Pin Code	5D
Laser Diode	ML725B8F
Fiber	SMF-28-J9
Connector	FC/PC

LPS-1310-FC Specifications			
	Min	Typ.	Max
Wavelength	1290 nm	1310 nm	1330 nm
Threshold Current*	-	5 mA	15 mA
Slope Efficiency*	0.1 mW/mA	0.2 mW/mA	-
Operating Current @ P ₀ = 2.5 mW*	-	20 mA	35 mA
Operating Voltage @ P ₀ = 2.5 mW*	-	1.1 V	1.5 V
Monitor Current @ P ₀ = 2.5 mW*	0.1 mA	0.5 mA	-

*Temperature = 25 °C

Drawings



NOTICE
To avoid equipment damage from electrostatic discharge: Wear ESD wriststrap when handling this device.

