

Laser Diode



M9-830-0150



Description

Thorlabs Ø9 mm, TO-can package discrete laser diode is a compact light source suited to many applications. Our lasers are fully compatible with our entire line of Laser Diode and TEC Controllers as well as our selection of Laser Diode Mounts and Collimation Solutions.

Specifications

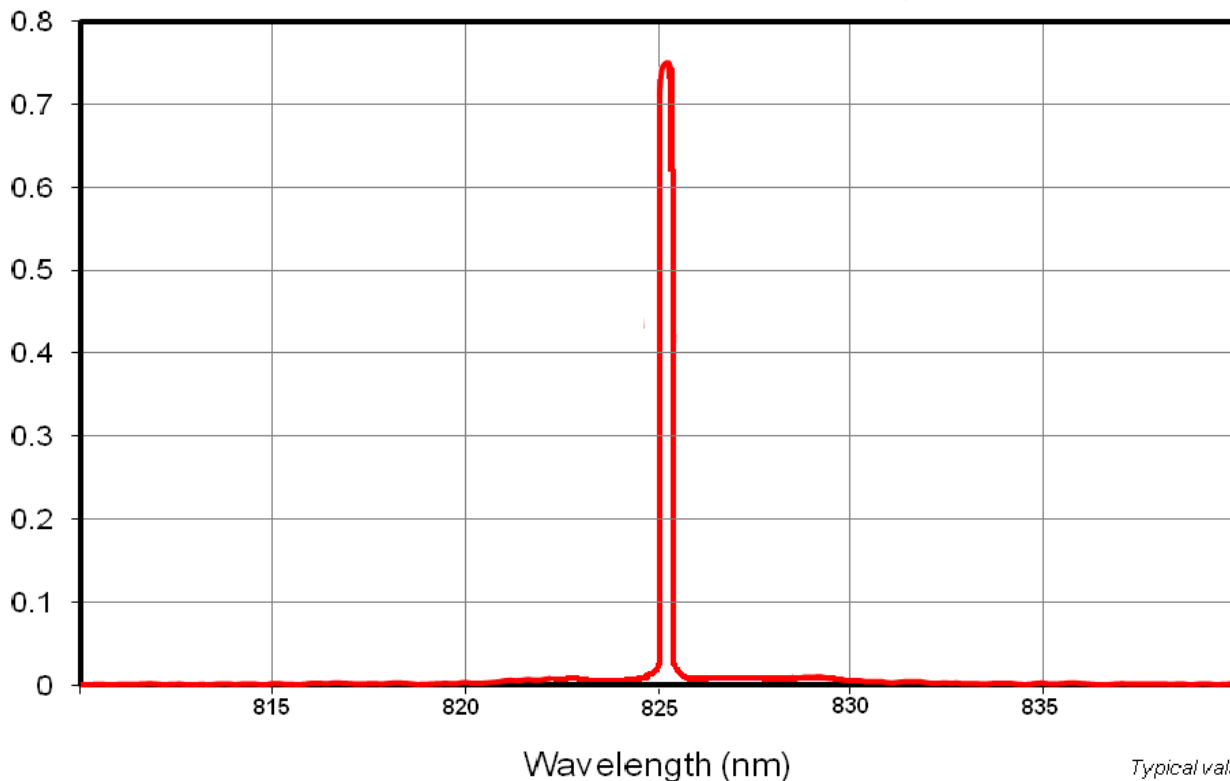
($P_o = 150 \text{ mW}$, $T_c = 25 \text{ }^\circ\text{C}$)

Specification	Symbol	Max
Storage Temperature,	$^\circ\text{C}$	-40 to +80
Operation Case Temperature,	$^\circ\text{C}$	-20 to +50
Lead Soldering Temp. (5 sec)	$^\circ\text{C}$	250

Specification	Symbol	Min	Typ	Max
Wavelength, nm	λ_p	825	830	835
Spectrum, nm FWHM		-	0.5	2
Output Power, mW	P_o	-	150	-
Operation Current, mA	I_{op}	-	170	220
Operating Voltage, V	V_{op}	-	1.9	2.2
Kink-Free Power, mW		160	-	-
Lifetime Hour	hr	100,000	-	-
Vertical Far Field FWHM	deg	13	18	23
Parallel Far Field FWHM	deg	-	8	10
Threshold Current, mA	I_{th}	-	20	40
Slope Efficiency, mW/mA	η	0.9	1.0	-

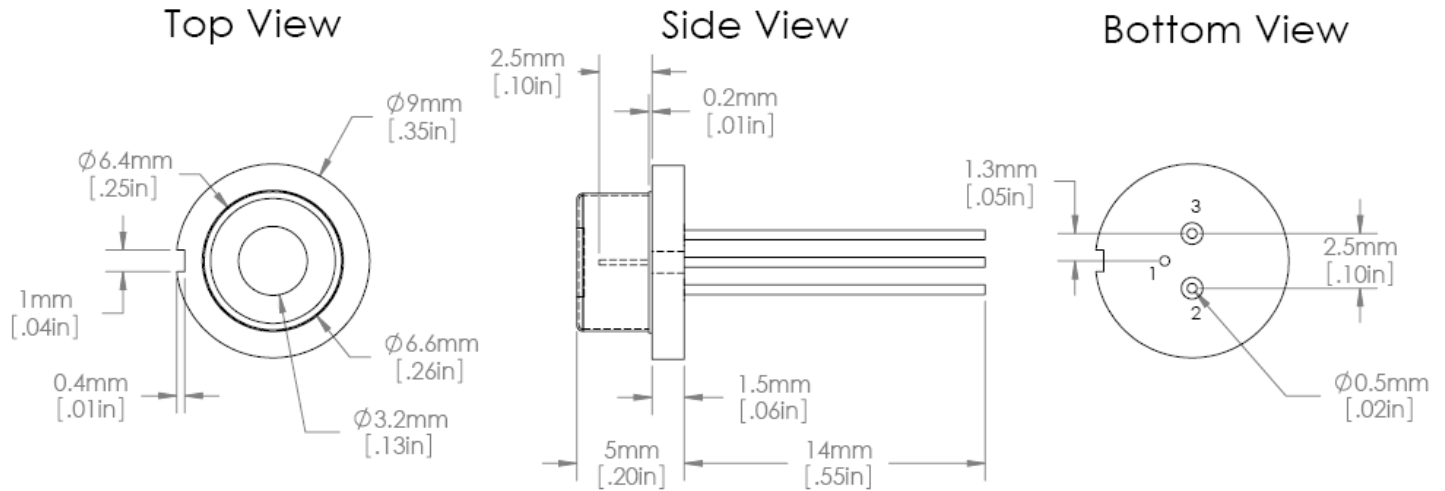


M9-830-0150 Normalized Output Power

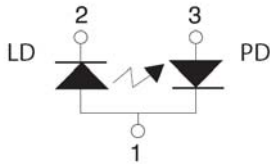


Typical values only

Drawings



Pin Code A



Pin Description

- 1 Case Common
- 2 Laser Cathode
- 3 Monitor Diode Anode

USA, Canada, and South America

Thorlabs, Inc.
435 Route 206
Newton, NJ 07860, USA

Tel: 973-579-7227
Fax: 973-300-3600

Europe

Thorlabs GmbH
85221 Dachau, Germany
Tel: +49-(0)8131-5956-0

Scandinavia

Thorlabs Sweden AB
400 20 Göteborg, Sweden
Tel: +46-31-733-30-00

UK and Ireland

Thorlabs LTD.
Cambridgeshire CB7 4EX, GB
Tel: +44 (0)1353-654440

Japan and Asia

Thorlabs Japan Inc.
Bunkyo-ku, Tokyo 112-0012, Japan
Tel: +81-3-5979-8889

France

Thorlabs SAS
78600 Maisons-Laffitte, France
Tel: +33 (0) 970 444 844

China

Thorlabs China
Shanghai, China
Tel: +86 (0)21-32513486

