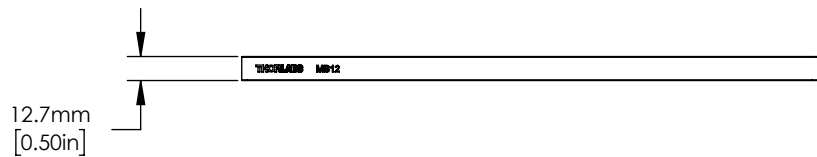
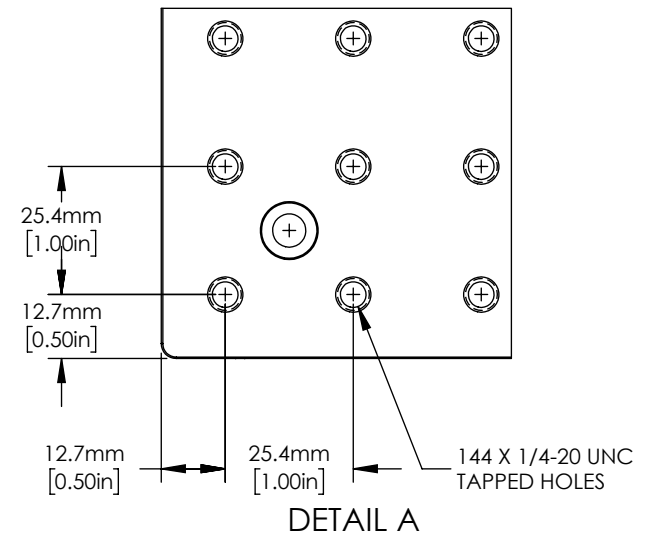
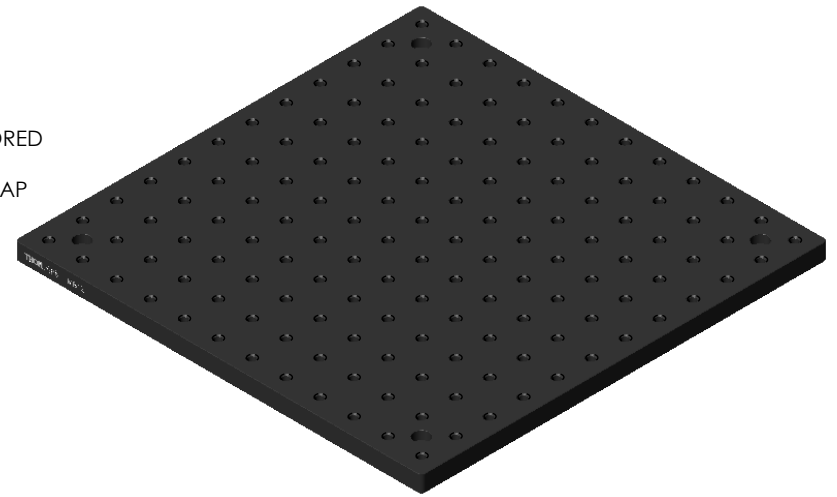


4X COUNTERBORED HOLES TO SUIT 1/4-20 SOCKET CAP



FOR INFORMATION ONLY
 NOT FOR MANUFACTURING PURPOSES

DRAWING PROJECTION			THORLABS www.thorlabs.com	
NAME	DATE	ALUMINIUM BREADBOARD 304.8 X 304.8 X 12.7mm		
DRAWN	JFH	01/FEB/18	REV D	
APPROVAL	CJL	01/FEB/18	MATERIAL	ALUMINIUM
COPYRIGHT © 2018 BY THORLABS			ITEM #	APPROX WEIGHT
VALUES IN PARENTHESIS ARE CALCULATED AND MAY CONTAIN ROUND OFF ERRORS			MB12	3.02 kg