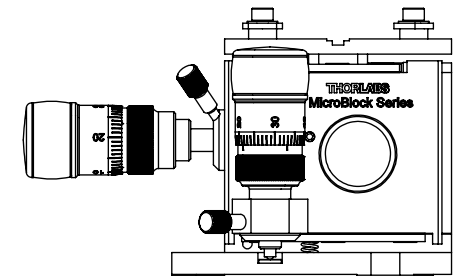
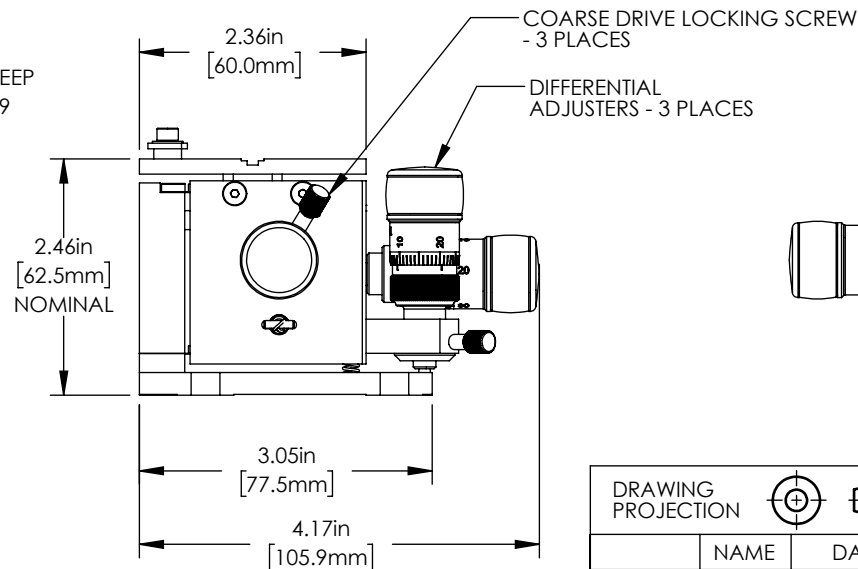
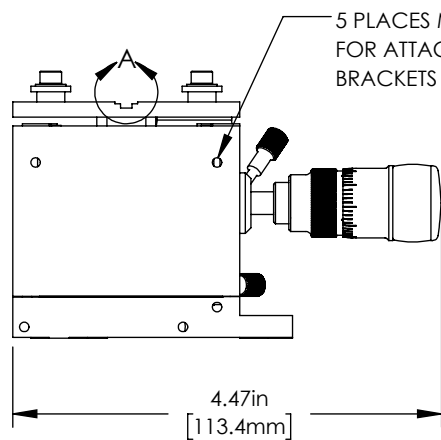


ACCESSORY GROOVE DETAIL  
 (ALL PLATE DETAILS SYMMETRICAL  
 IN BOTH AXIS)



FOR INFORMATION ONLY  
 NOT FOR MANUFACTURING PURPOSES

DRAWING PROJECTION			<b>THORLABS</b> www.thorlabs.com	
NAME	DATE	MBT616D STAGE		
DRAWN	D.C.	07/MAR/11	REV D	
APPROVAL	F.B.	25/FEB/20	MATERIAL	N/A
COPYRIGHT © 2020 BY THORLABS			ITEM #	APPROX WEIGHT
VALUES IN PARENTHESIS ARE CALCULATED AND MAY CONTAIN ROUND OFF ERRORS			MBT616D	0.75 kg