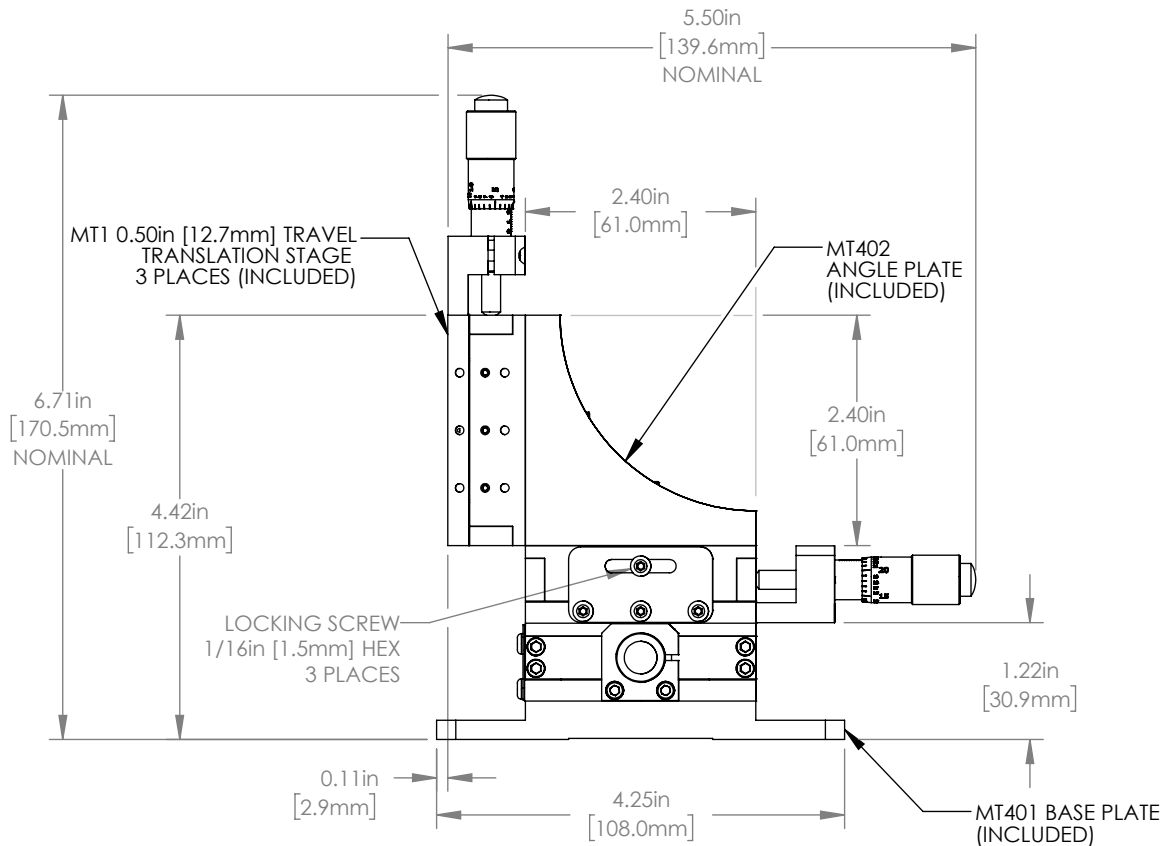
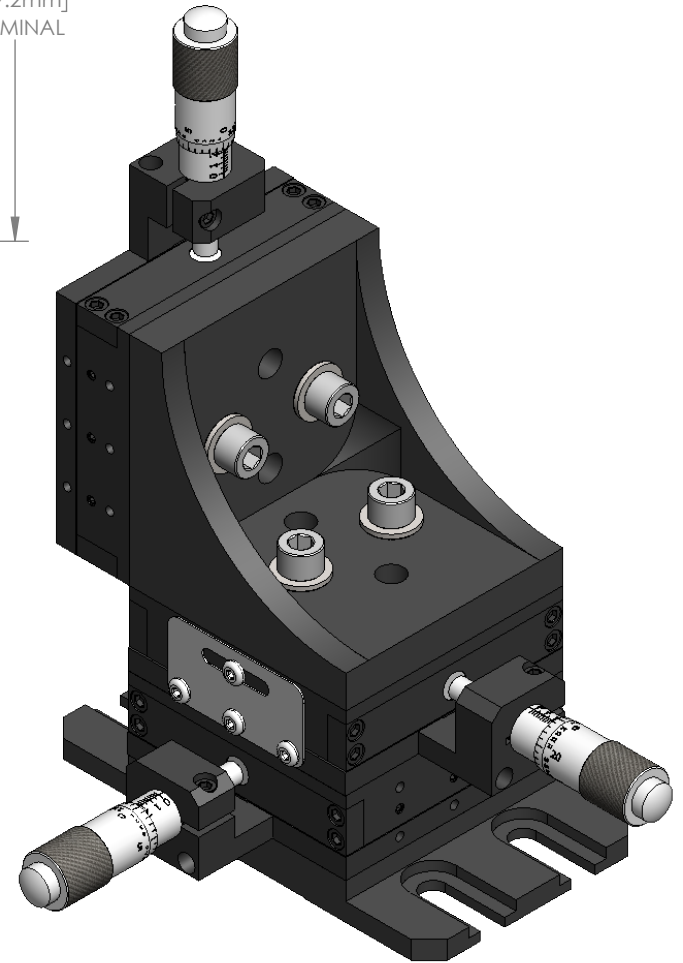


Ø0.51in [13.0mm] KNURLED GRIP MICROMETER HEAD (148-811ST)
 Ø0.38in [9.5mm] BARREL
 0.50in [12.7mm] TRAVEL
 0.025in [0.64mm] PER-REV
 3 PLACES (INCLUDED)

NOTES:

(4) Ø 1/8in X 1/4in DOWEL PINS INCLUDED WITH PURCHASE

REFER TO MT1 ENGINEERING SUPPORT DRAWING FOR MT1 MOUNTING HOLE SPECIFICATIONS



FOR INFORMATION ONLY
 NOT FOR MANUFACTURING PURPOSES

DRAWING PROJECTION			THORLABS www.thorlabs.com	
NAME	DATE	XYZ TRANSLATION STAGE		REV
REDRAWN TLB	29/MAR/12	MATERIAL		D
APPROVAL SB	21/JUN/00	N/A		
COPYRIGHT © 2012 BY THORLABS				
VALUES IN PARENTHESIS ARE CALCULATED AND MAY CONTAIN ROUND OFF ERRORS		ITEM #	APPROX WEIGHT	
		MT3	1.13 kg	