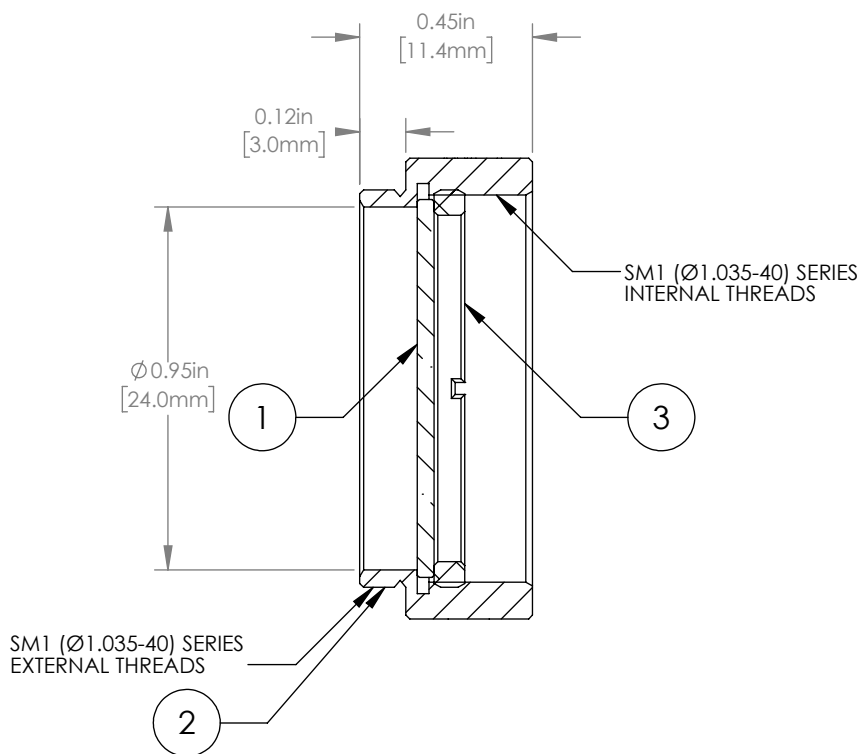
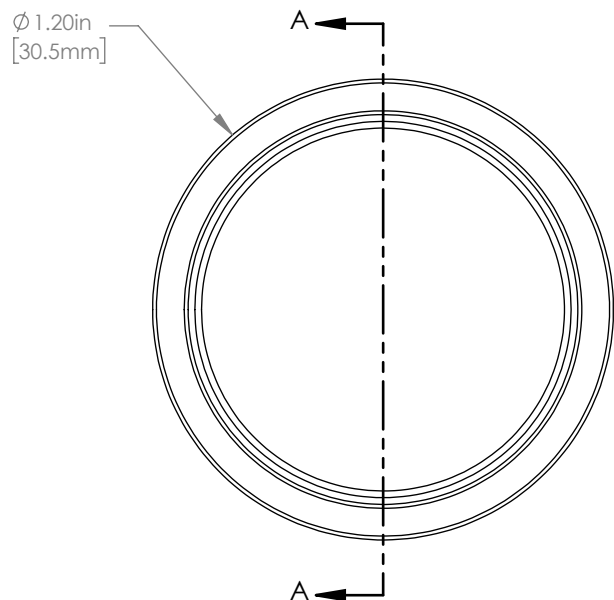


PART	PART NO.	MATERIAL
①	NE06B	NG4
②	ENGRAVED HOUSING	ANODIZED ALUMINUM
③	SM1RR	ANODIZED ALUMINUM



SECTION A-A

NOTES/SPECIFICATIONS:

- OPTICAL DENSITY: 0.6 ± 0.03 AT 633 nm
- CLEAR APERTURE: $> \text{Ø}20.0$ mm
- SURFACE QUALITY: 40-20 SCRATCH-DIG
- TRANSMITTED WAVEFRONT ERROR: $< \lambda/4$ AT 633 nm
- THICKNESS DETERMINED BY THE OPTICAL DENSITY OF THE PARTICULAR LOT OF MATERIAL.

FOR INFORMATION ONLY
NOT FOR MANUFACTURING PURPOSES

DRAWING PROJECTION			THORLABS www.thorlabs.com	
	NAME	DATE	MOUNTED Ø 25.0 mm ABSORPTIVE ND FILTER, OD: 0.6	
DRAWN	DFS	10/MAR/20	REV H	
APPROVAL	DS	26/JAN/23	MATERIAL	SEE TABLE
COPYRIGHT © 2023 BY THORLABS			ITEM #	APPROX WEIGHT
VALUES IN PARENTHESIS ARE CALCULATED AND MAY CONTAIN ROUND OFF ERRORS			NE06A	8 g