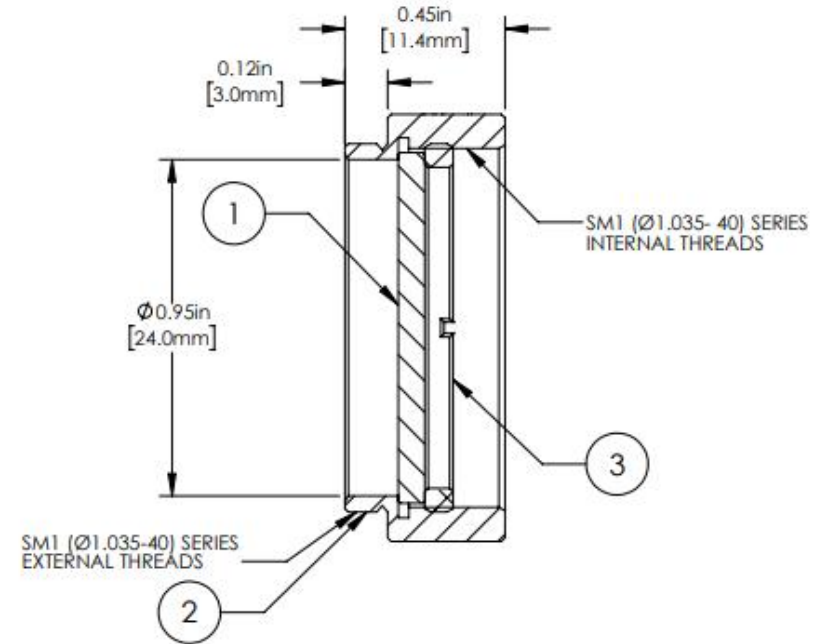
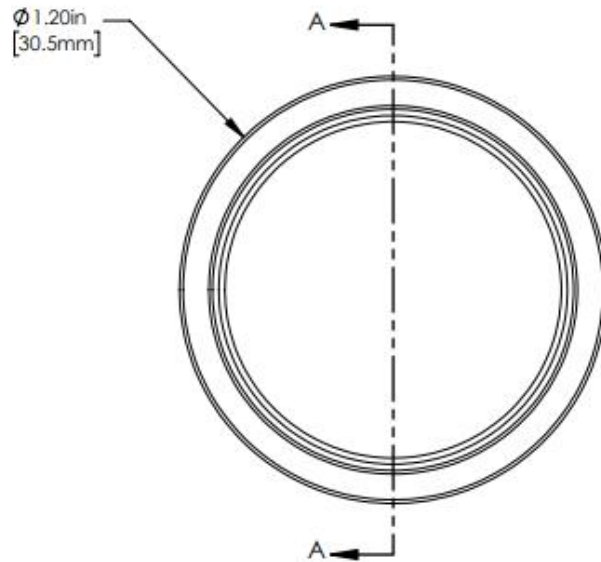


PART	PART NO.	MATERIAL
①	NE10B	NG4
②	ENGRAVED HOUSING	ANODIZED ALUMINUM
③	SM1RR	ANODIZED ALUMINUM



SECTION A-A

NOTES/SPECIFICATIONS:

1. OPTICAL DENSITY: 1.0 ± 0.050 AT 633 nm
2. CLEAR APERTURE: $> \varnothing 22.5$ mm
3. SURFACE QUALITY: 40-20 SCRATCH-DIG
4. TRANSMITTED WAVEFRONT ERROR: $< \lambda/4$ AT 633 nm
5. THICKNESS DETERMINED BY THE OPTICAL DENSITY OF THE PARTICULAR LOT OF MATERIAL.

FOR INFORMATION ONLY
NOT FOR MANUFACTURING PURPOSES

DRAWING PROJECTION			THORLABS www.thorlabs.com	
NAME	DATE	MOUNTED $\varnothing 25.0$ mm ABSORPTIVE ND FILTER, OD: 1.0		
DRAWN	DFS	10/MAR/20	MATERIAL	
APPROVAL	BAG	26/AUG/21	SEE TABLE	REV G
COPYRIGHT © 2021 BY THORLABS			ITEM #	APPROX WEIGHT
VALUES IN PARENTHESIS ARE CALCULATED AND MAY CONTAIN ROUND OFF ERRORS			NE10A	8 g