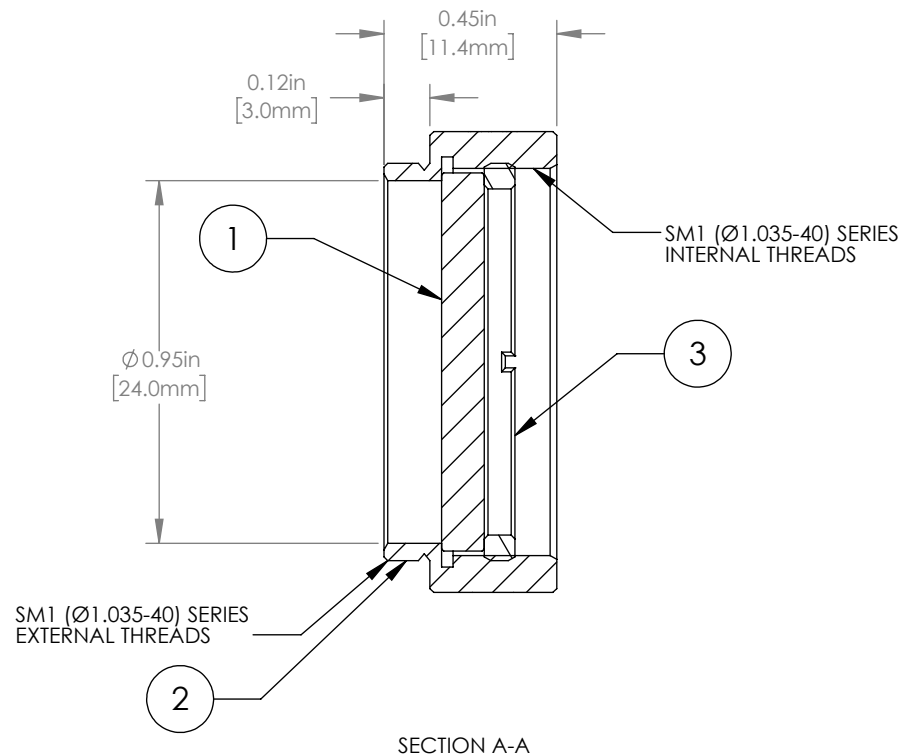
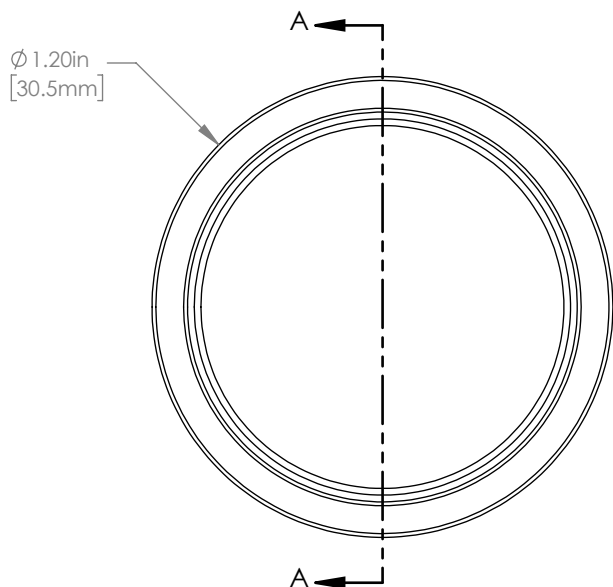


PART	PART NO.	MATERIAL
①	NE40B	NG9
②	ENGRAVED HOUSING	ANODIZED ALUMINUM
③	SM1RR	ANODIZED ALUMINUM



NOTES/SPECIFICATIONS:

- OPTICAL DENSITY: 4.0 ± 0.20 AT 633 nm
- CLEAR APERTURE: $>\phi 20.0$ mm
- SURFACE QUALITY: 40-20 SCRATCH-DIG
- TRANSMITTED WAVEFRONT ERROR: $<\lambda/4$ AT 633 nm
- THICKNESS DETERMINED BY THE OPTICAL DENSITY OF THE PARTICULAR LOT OF MATERIAL.

FOR INFORMATION ONLY
NOT FOR MANUFACTURING PURPOSES

DRAWING PROJECTION			THORLABS www.thorlabs.com	
NAME	DATE	MOUNTED $\phi 25.0$ mm ABSORPTIVE ND FILTER, OD: 4.0		
DRAWN	DFS	10/MAR/20	REV H	
APPROVAL	DS	26/JAN/23	MATERIAL	SEE TABLE
COPYRIGHT © 2023 BY THORLABS				
VALUES IN PARENTHESIS ARE CALCULATED AND MAY CONTAIN ROUND OFF ERRORS				
ITEM #		NE40A		APPROX WEIGHT
				8 g