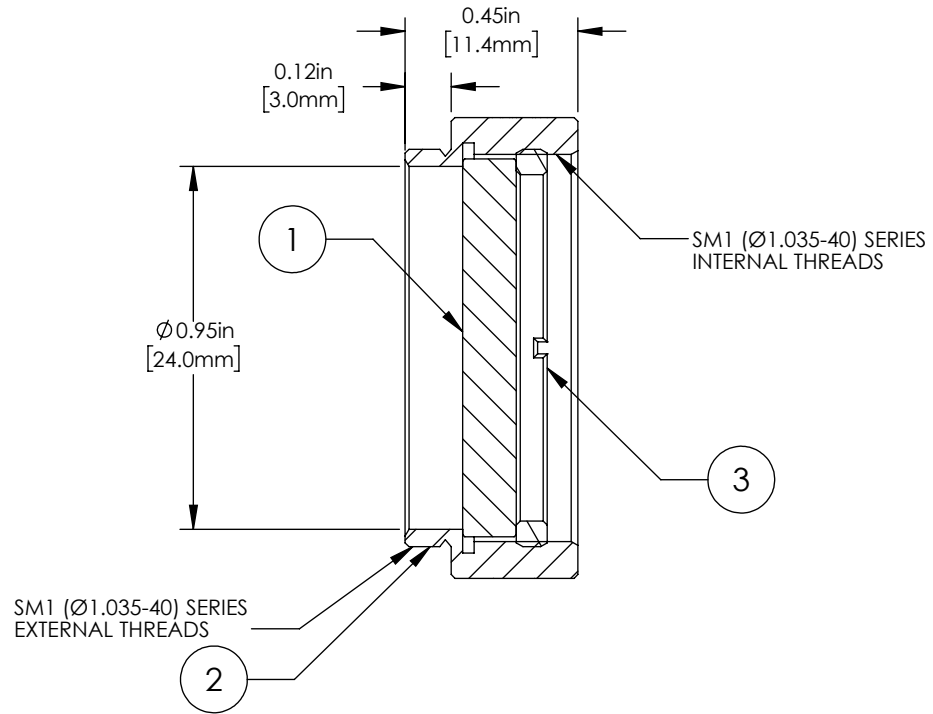
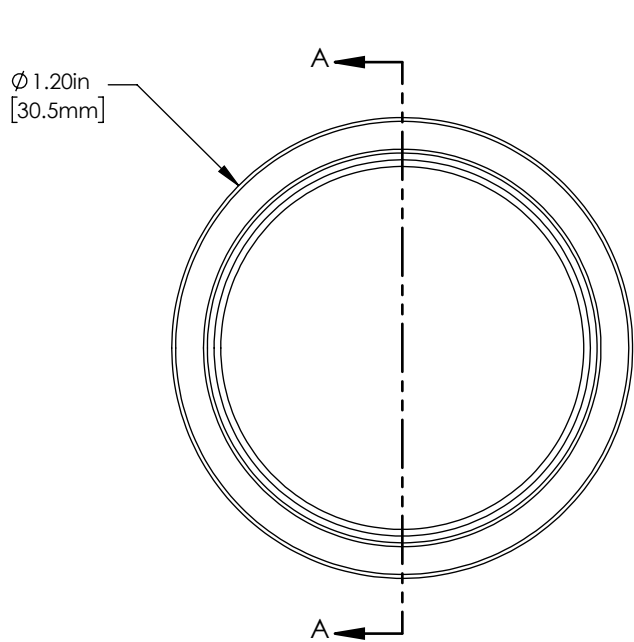


PART	PART NO.	MATERIAL
①	NE50B	NG9
②	ENGRAVED HOUSING	ANODIZED ALUMINUM
③	SM1RR	ANODIZED ALUMINUM



SECTION A-A

NOTES/SPECIFICATIONS:

1. OPTICAL DENSITY:  $5.0 \pm 0.250$  AT 633 nm
2. CLEAR APERTURE:  $>\text{Ø} 22.5$  mm
3. SURFACE QUALITY: 40-20 SCRATCH-DIG
4. SURFACE FLATNESS:  $<1\lambda$  AT 633 nm
5. THICKNESS DETERMINED BY THE OPTICAL DENSITY OF THE PARTICULAR LOT OF MATERIAL.

FOR INFORMATION ONLY  
NOT FOR MANUFACTURING PURPOSES

DRAWING PROJECTION			 <a href="http://www.thorlabs.com">www.thorlabs.com</a> <b>MOUNTED Ø 25.0 mm ABSORPTIVE ND FILTER, OD: 5.0</b>	
NAME	DATE			
DRAWN	DFS	10/MAR/20	MATERIAL	
APPROVAL	BAG	26/AUG/21		
COPYRIGHT © 2021 BY THORLABS VALUES IN PARENTHESIS ARE CALCULATED AND MAY CONTAIN ROUND OFF ERRORS			SEE TABLE	REV <b>G</b>
ITEM #		NE50A	APPROX WEIGHT	
			8 g	