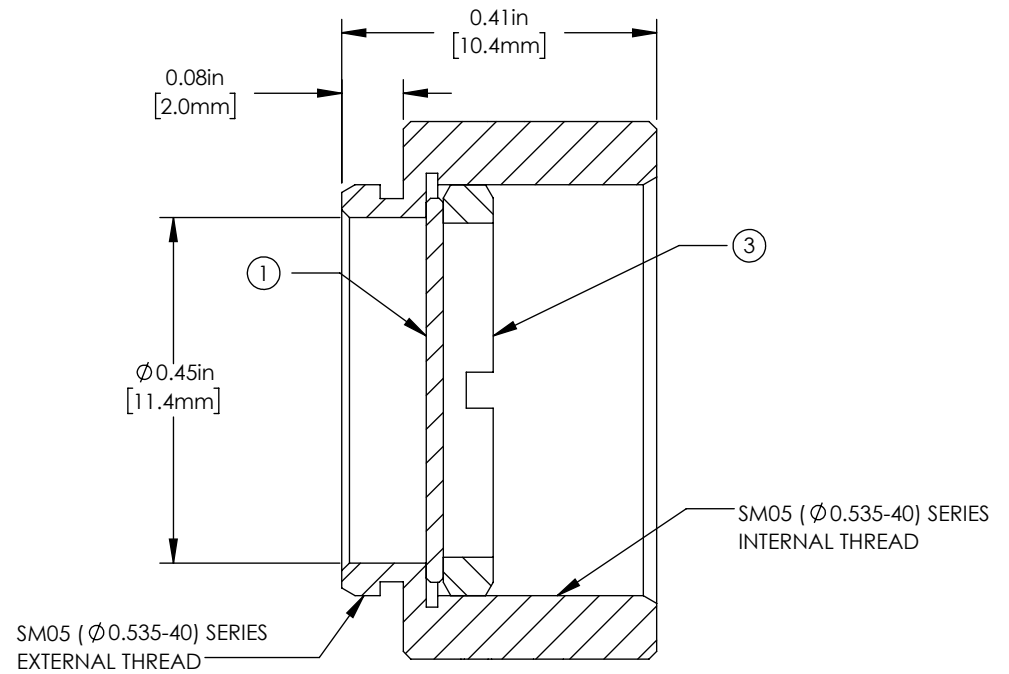
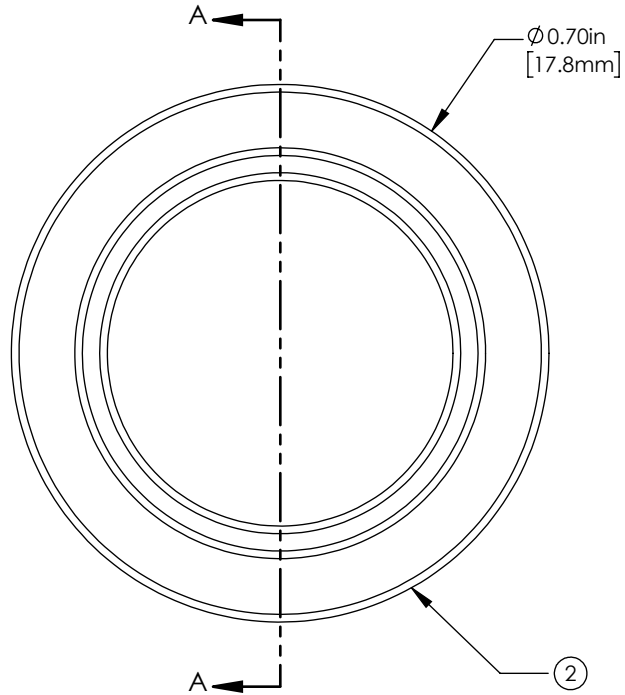


PART	PART NO.	MATERIAL
①	NE530B	NG9
②	ENGRAVED HOUSING	ANODIZED ALUMINUM
③	SM05RR	ANODIZED ALUMINUM



SECTION A-A

NOTES/SPECIFICATIONS:

- OPTICAL DENSITY:  $3.0 \pm 0.150$  AT 633 nm
- CLEAR APERTURE:  $> \phi 11.0$  mm
- SURFACE QUALITY: 40-20 SCRATCH-DIG
- SURFACE FLATNESS:  $< \lambda/2$  AT 633 nm
- THICKNESS DETERMINED BY THE OPTICAL DENSITY OF THE PARTICULAR LOT OF MATERIAL.

FOR INFORMATION ONLY  
NOT FOR MANUFACTURING PURPOSES

DRAWING PROJECTION				 www.thorlabs.com	
NAME	DATE	MOUNTED $\phi 12.7$ mm ABSORPTIVE ND FILTER, OD: 3.0		REV F	
DRAWN	JAC	18/FEB/19	MATERIAL		SEE TABLE
APPROVAL	BAG	26/AUG/21	ITEM #		APPROX WEIGHT
COPYRIGHT © 2021 BY THORLABS VALUES IN PARENTHESIS ARE CALCULATED AND MAY CONTAIN ROUND OFF ERRORS			NE530A		3 g