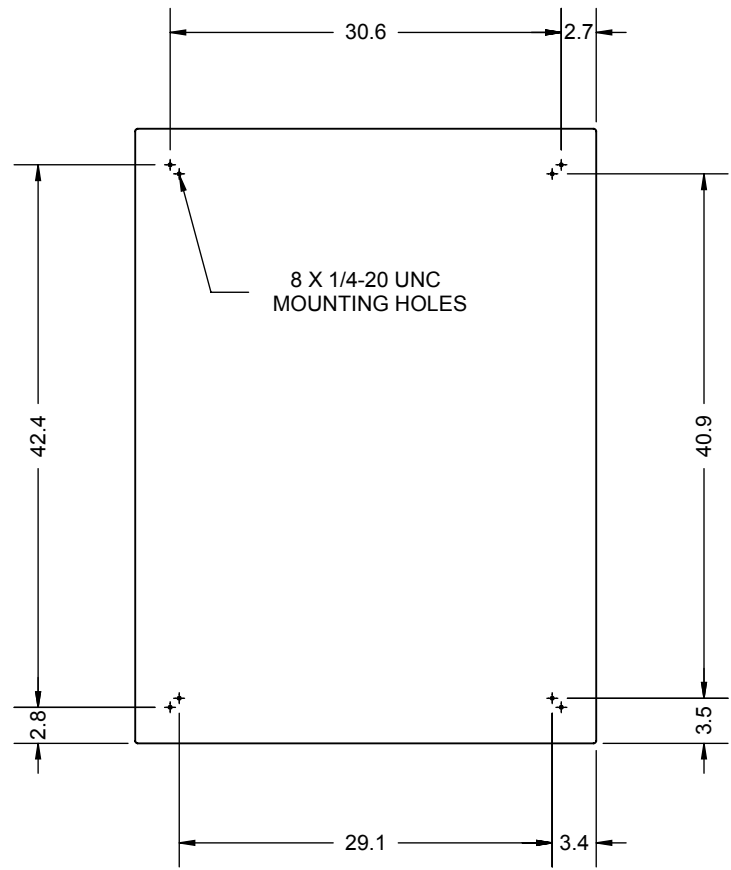
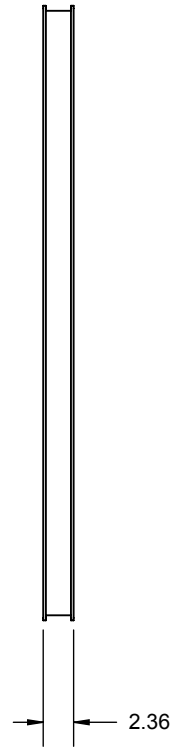
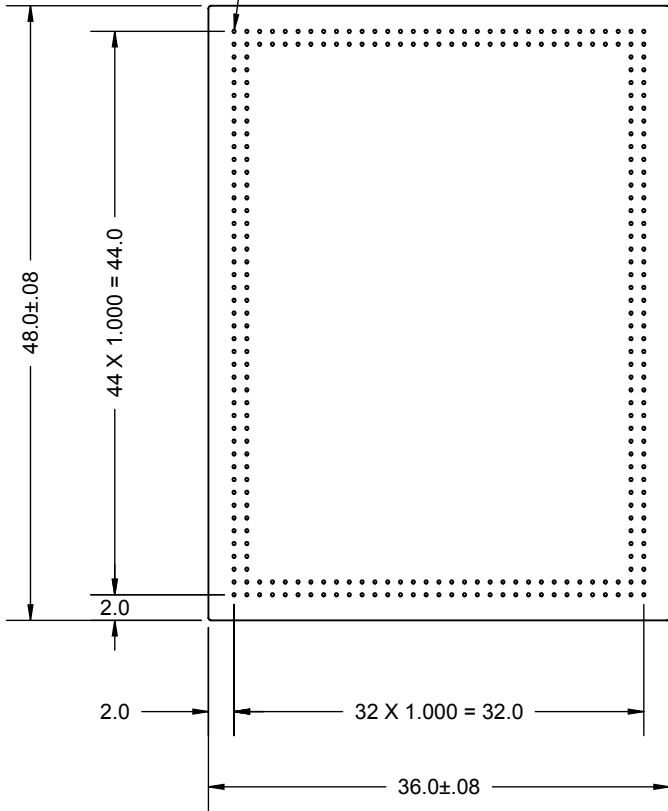


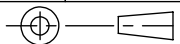
NOTES:

DO NOT SCALE

1/4-20 UNC MATRIX
CONTINUED OVER
WHOLE TOP FACE



2	TOLERANCES AMENDED	17.07.2009
1	ENGINEERING SUPPORT DRAWING	25.05.2006
ISSUE	C/N NUMBER	DATE
TOLERANCES X.X=±0.040, X.XX=±0.010, X.XXX=±0.004		ALL DIMENSIONS IN INCHES
ANGULAR=±0°30'		
THIRD ANGLE PROJECTION DRAWN TO BS.308		



THORLABS		COPYRIGHT © THORLABS ALL RIGHTS RESERVED NO UNAUTHORISED DUPLICATION OR MANUFACTURE PERMITTED	
TITLE Performance Series I Breadboard - 4' x 3' x 2.4"			
DATE 17.07.2009	DWG PBH11115	ISSUE 2	
DRAWN <i>CIL</i>	APPD.	SCALE 1:15	A4
		SHEET 15 OF 22	