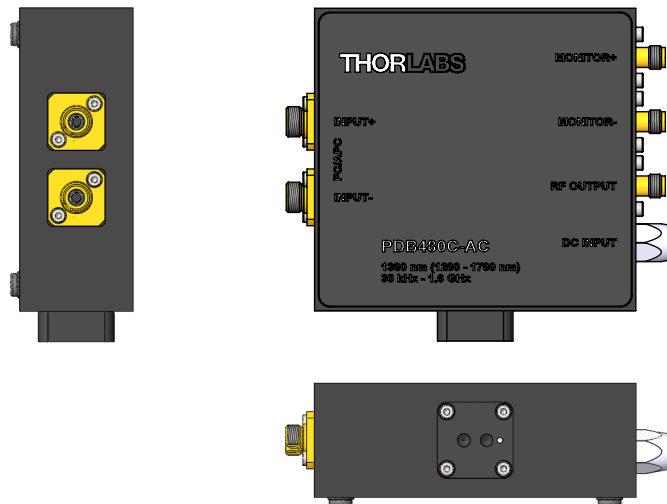


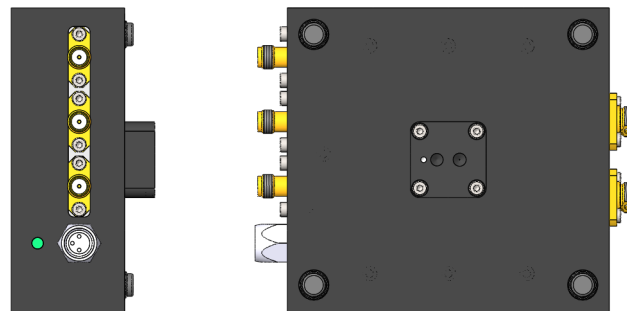
Adapter plate

Adapter plate mounting positions

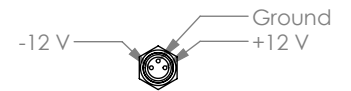
Option A



Option B



Electrical Connections



FOR INFORMATION ONLY  
NOT FOR MANUFACTURING PURPOSES

DRAWING PROJECTION

	NAME	DATE
DRAWN	VM	12/JUN/13
APPROVAL	MA	12/JUN/13

COPYRIGHT © 2013 BY THORLABS

VALUES IN PARENTHESIS ARE CALCULATED AND MAY CONTAIN ROUND OFF ERRORS

**THORLABS**  
www.thorlabs.com

PDB480C-AC

MATERIAL	REV
N/A	D

ITEM #	APPROX WEIGHT
PDB480C-AC	0.3 kg