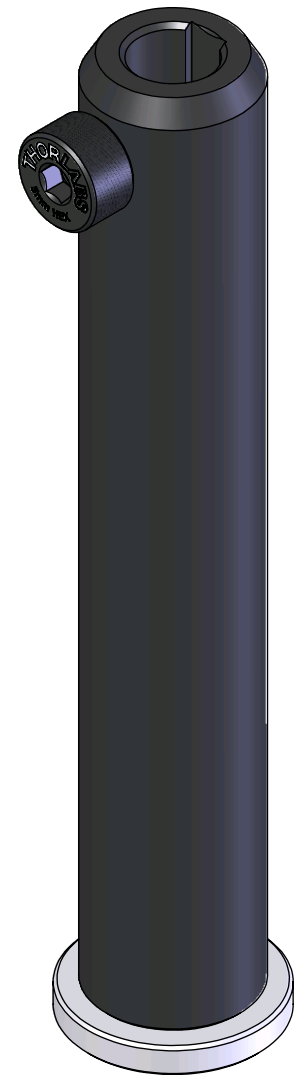
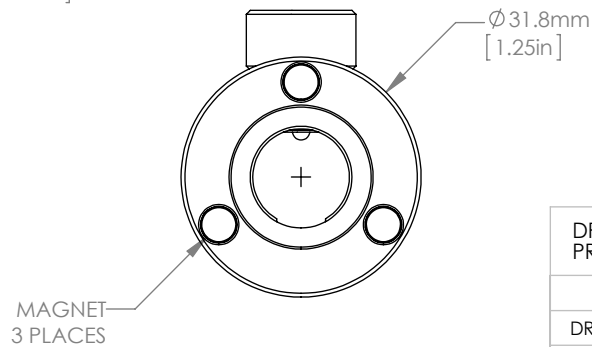
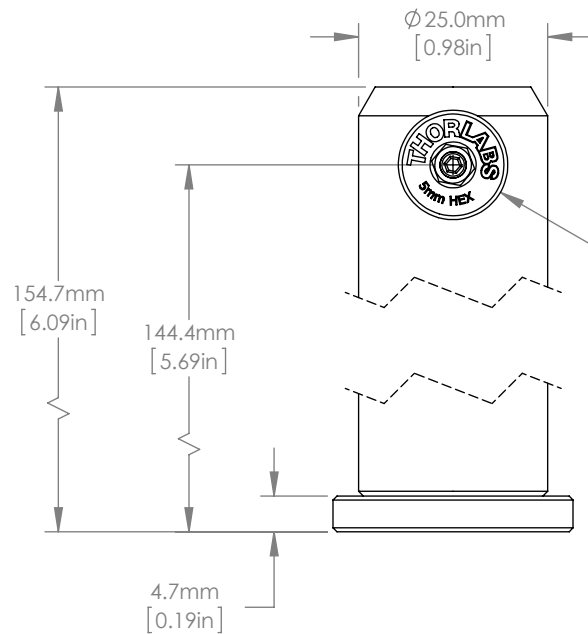
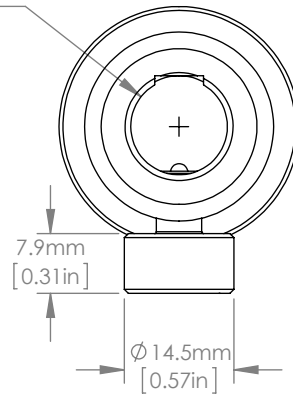


Ø 12.8mm [0.50in] THRU HOLE
FOR USE WITH TR SERIES POSTS



FOR INFORMATION ONLY
NOT FOR MANUFACTURING PURPOSES

DRAWING PROJECTION			THORLABS www.thorlabs.com	
NAME	DATE	150mm METRIC PEDESTAL POST HOLDER		
DRAWN	RL	24 OCT 11	MATERIAL	
APPROVAL	BM	20 DEC 11	N/A	REV A
COPYRIGHT © 2012 BY THORLABS				
VALUES IN PARENTHESIS ARE CALCULATED AND MAY CONTAIN ROUND OFF ERRORS				
ITEM #	PH150E/M		APPROX WEIGHT 0.17 kg	