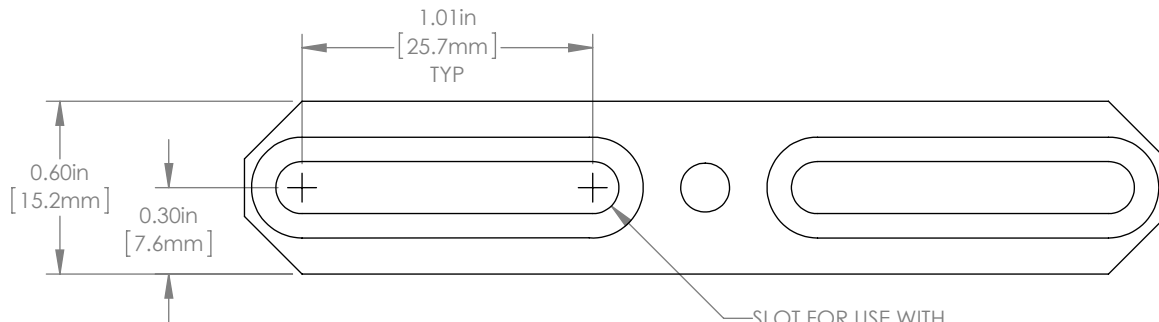
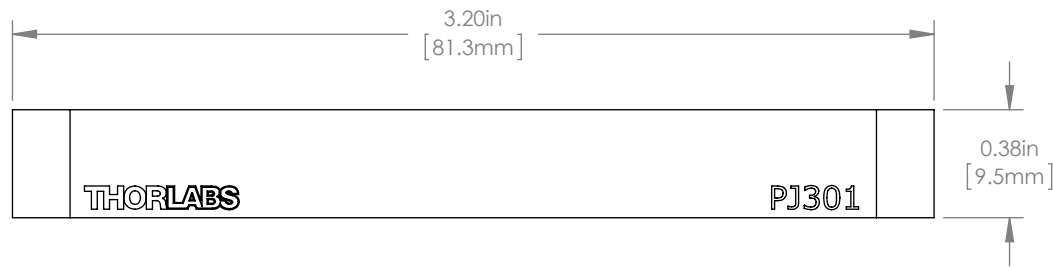
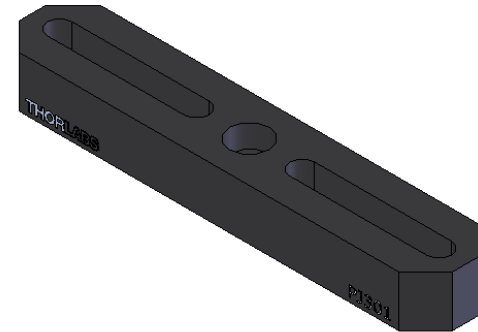


MOUNTING BORE HOLE FOR USE WITH #8 (M4) CAPSCREW (INCLUDED)



SLOT FOR USE WITH #8 CAPSCREW OR NUT (BOTH INCLUDED) 2 PLACES

FOR INFORMATION ONLY
NOT FOR MANUFACTURING PURPOSES

DRAWING PROJECTION			THORLABS www.thorlabs.com	
	NAME	DATE	POST JOIST	
DRAWN	JC	MAR/23/12	MATERIAL	ALUMINUM
APPROVAL	BM	APR/19/12	ITEM #	PJ301
COPYRIGHT © 2012 BY THORLABS			APPROX WEIGHT	0.01 kg
VALUES IN PARENTHESIS ARE CALCULATED AND MAY CONTAIN ROUND OFF ERRORS			REV	B