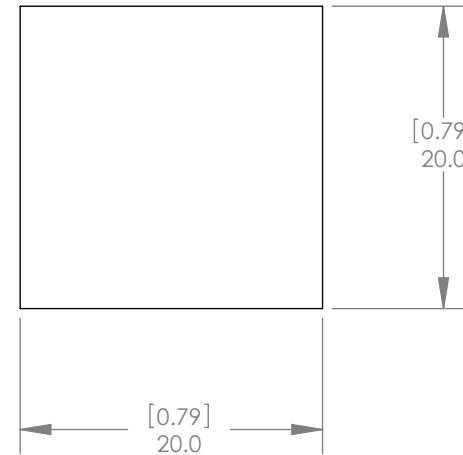
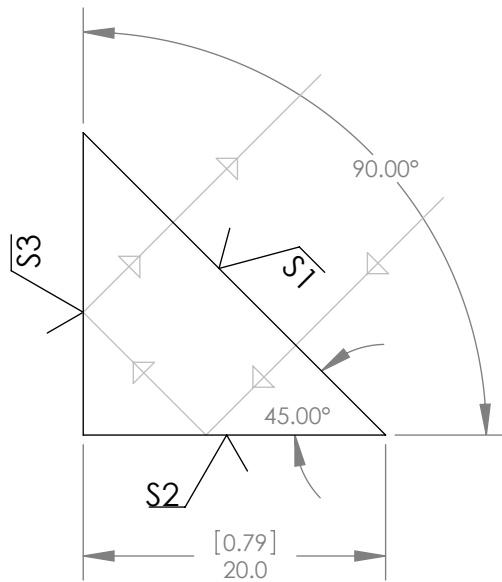


REFERENCE VIEW  
SCALE 1:1



SPECIFICATIONS:

CLEAR APERTURE (S1, S2, S3) : 70% OF FACE, LENGTH, AND WIDTH  
 SURFACE FLATNESS:  $\lambda/10$  @ 633nm  
 SURFACE QUALITY: 40-20 SCRATCH-DIG  
 COATING (S1): -A COATING  
 WAVELENGTH RANGE: 350-700nm  
 $R_{avg} < 0.5\%$   
 DIMENSIONAL TOLERANCE:  $\pm 0.1\text{mm}$   
 ANGULAR TOLERANCE:  $\pm 3$  arcmin

ALL DIMENSIONS ARE IN mm [inches]  
 THIS DRAWING IS FOR INFORMATION ONLY  
 NOT INTENDED FOR MANUFACTURING

**THORLABS INC.** PO BOX 366  
 NEWTON NJ

TITLE: 20mm RA PRISM; BBAR COATING  
 350-700nm ON HYPOTENUSE

MATERIAL: N-BK7 SIZE A REV. B

SCALE: 2:1 SHEET 1 OF 1

DWG. NO. 18939-E01 PART NO. PS908H-A

	NAME	DATE
DRAWN	MG	11/24/2008
ENG APPR.	BW	09/15/2009
MFG APPR.	PM	09/15/2009

**PROPRIETARY AND CONFIDENTIAL**

THE INFORMATION CONTAINED IN THIS DRAWING IS THE SOLE PROPERTY OF THORLABS, INC. ANY REPRODUCTION IN PART OR AS A WHOLE WITHOUT THE WRITTEN PERMISSION OF THORLABS, INC. IS PROHIBITED.