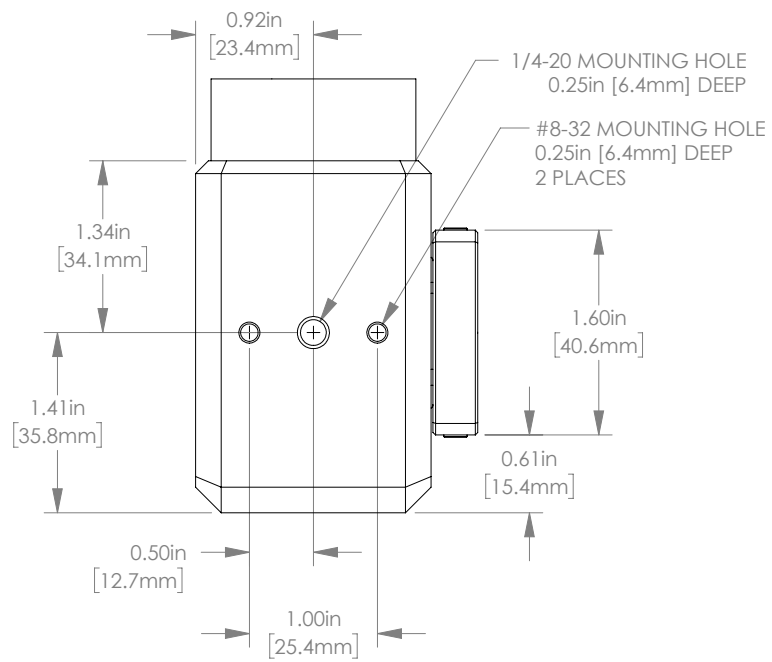
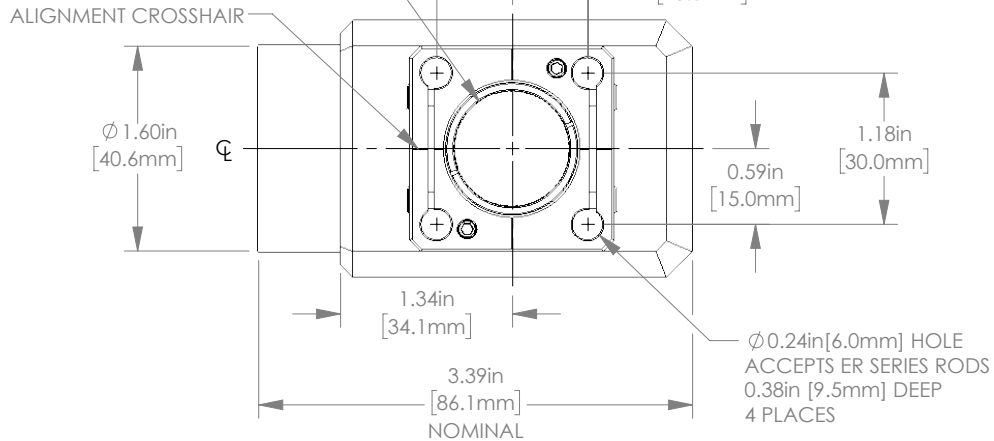


SM1 (Ø 1.035-40) SERIES INTERNAL THREAD
 0.38 in [9.5mm] DEEP
 (1) SM1RR RETAINING RING INCLUDED
 0.08 in [2.0mm] THICK
 Ø 0.90 in [22.9mm] CLEAR APERTURE



FOR INFORMATION ONLY
 NOT FOR MANUFACTURING PURPOSES

DRAWING PROJECTION			THORLABS www.thorlabs.com	
REDRAWN	NAME	DATE	PMT TO SM1/CAGE ADAPTER	
APPROVAL	AK	28/AUG/14	MATERIAL	
	BG	18/SEP/09	N/A	
COPYRIGHT © 2014 BY THORLABS			ITEM #	APPROX WEIGHT
VALUES IN PARENTHESIS ARE CALCULATED AND MAY CONTAIN ROUND OFF ERRORS			PXT1	0.32 kg
			REV	C