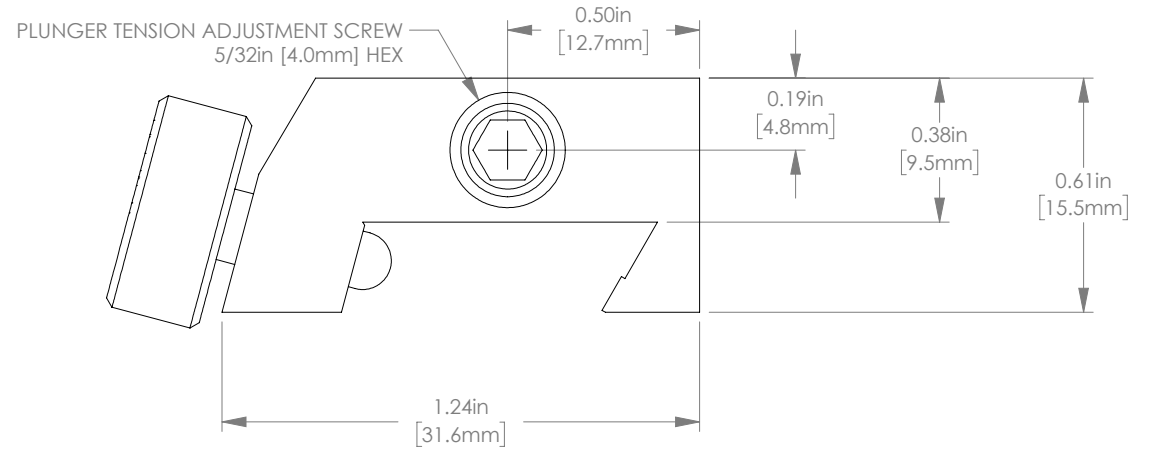
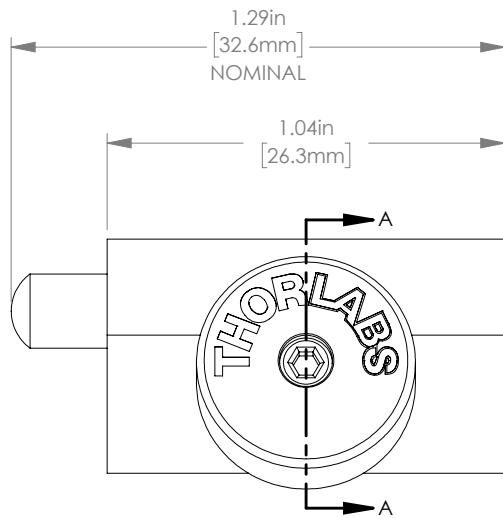
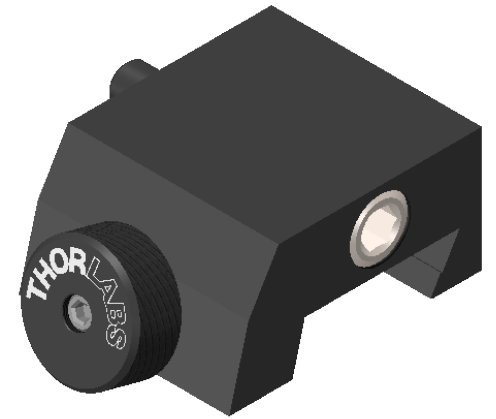


SPRING LOADED 1/4-20 THUMBSCREW
TO LOCK CARRIER IN PLACE

SECTION A-A



FOR INFORMATION ONLY
NOT FOR MANUFACTURING PURPOSES

DRAWING PROJECTION			THORLABS www.thorlabs.com	
NAME	DATE			
DRAWN	CG	04/OCT/18	RLA RAIL RETURN CARRIER	
APPROVAL	AK	12/OCT/18	MATERIAL	REV
COPYRIGHT © 2019 BY THORLABS			N/A	A
VALUES IN PARENTHESIS ARE CALCULATED AND MAY CONTAIN ROUND OFF ERRORS			ITEM #	APPROX WEIGHT
			RCN1	0.03 kg