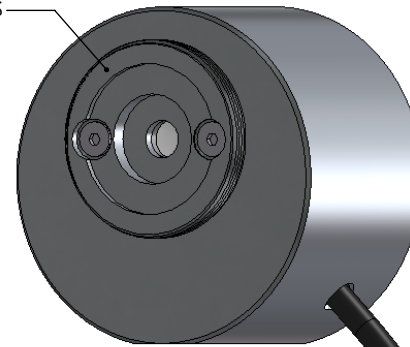
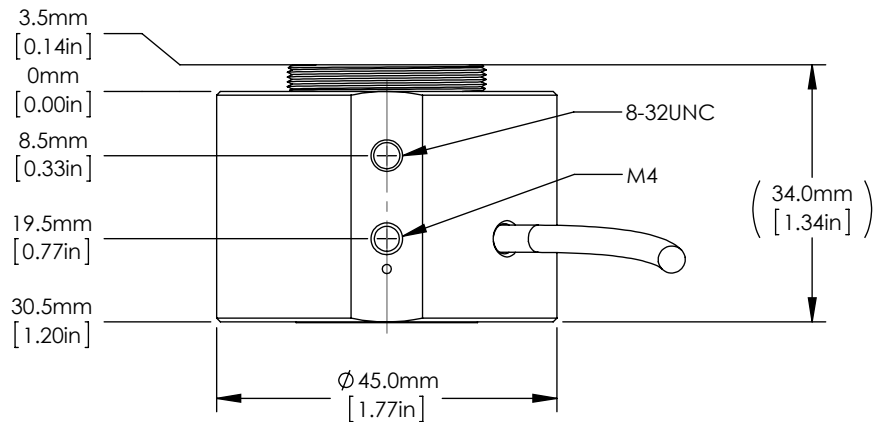


REMOVEABLE SM1  
THREAD ADAPTER  
FIXED WITH 2 M2.5  
COUNTERSUNK SCREWS



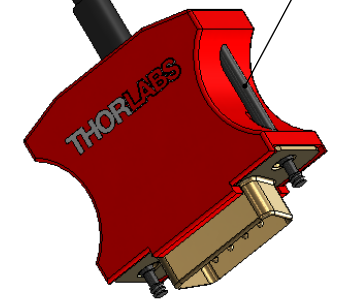
60" (1.5M) CABLE TO  
DB9 MALE CONNECTOR

SELF FIXING MECHANISM  
SLIGHTLY PRESS FROM BOTH  
SIDES FOR PLUGGING AND  
UNPLUGGING



CONNECTOR PIN DIAGRAM

2	EEPROM DATA
3	PD ANODE & NTC GROUND
4	PD CATHODE
6	EEPROM GROUND
7	NTC
1,4,5,9	N.C.



FOR INFORMATION ONLY  
NOT FOR MANUFACTURING PURPOSES

DRAWING  
PROJECTION



	NAME	DATE
DRAWN	GO	09/APR/13
APPROVAL	MG	10/APR/13

COPYRIGHT © 2013 BY THORLABS

VALUES IN PARENTHESIS ARE CALCULATED  
AND MAY CONTAIN ROUND OFF ERRORS

**THORLABS**  
www.thorlabs.com

INTEGRATING SPHERE  
PHOTO-DIODE POWER HEAD

MATERIAL

N/A

REV  
C

ITEM #

S140C, S144C

APPROX WEIGHT

0.2 kg